

24D33

1 ACCESSORIES LIST

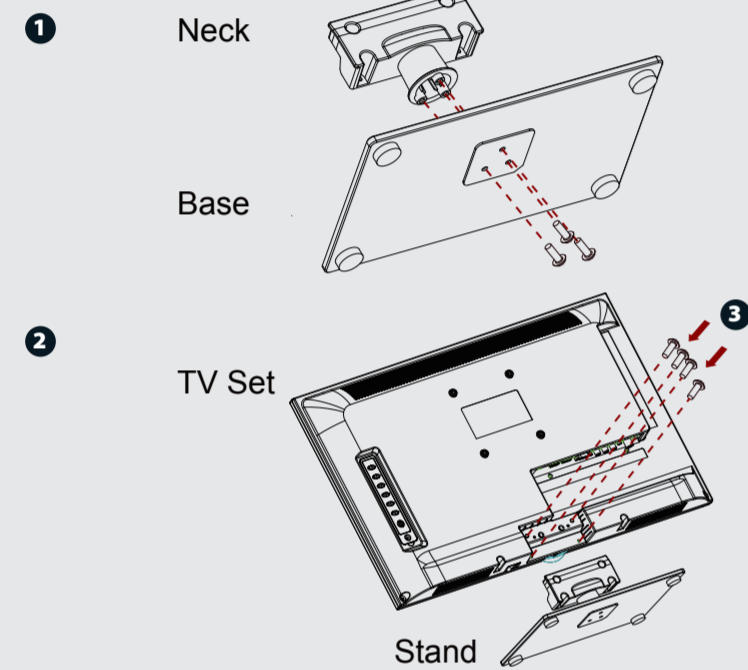
- User Manual
- Quick Setup Guide
- Remote Control
- Batteries: AAA × 2
- Screws (ST4 × 12F) × 3
- Screws (M4 × 16) × 2
- Screws (ST3 × 16C) × 2
- If the item is not specified in the accessories list, it should be provided by customer.

2 INSTALLING THE STAND

CAUTION

Carefully place your TV facedown on a soft, cushioned surface to prevent damage to the TV or scratching to the screen.

1. Use the screws (ST4x12F) X 3 to fix the Neck and Base.
2. Attach the stand to the TV set as shown in the picture.
3. Use the screws (M4x16) X 2 and screws (ST3x16C) X 2 to fix the stand tightly.

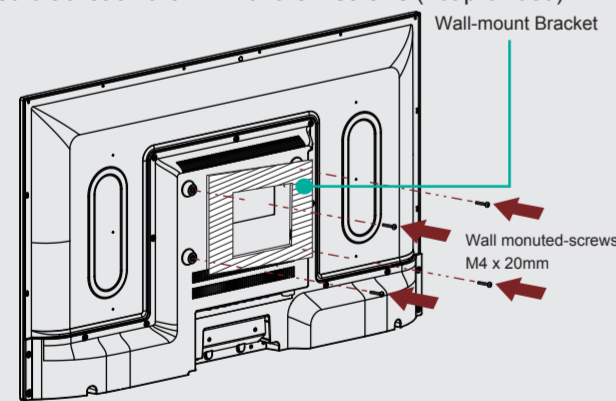


NOTE

Product image is only for reference, actual product may vary in appearance.

3 INSTALLING A WALL-MOUNT BRACKET

If you want to attach the TV to a wall-mount bracket (not provided), Make sure the TV is laid face-down on a clean, safe, and cushioned surface. Attach purchased bracket on the TV with the 4 screws (not provided).



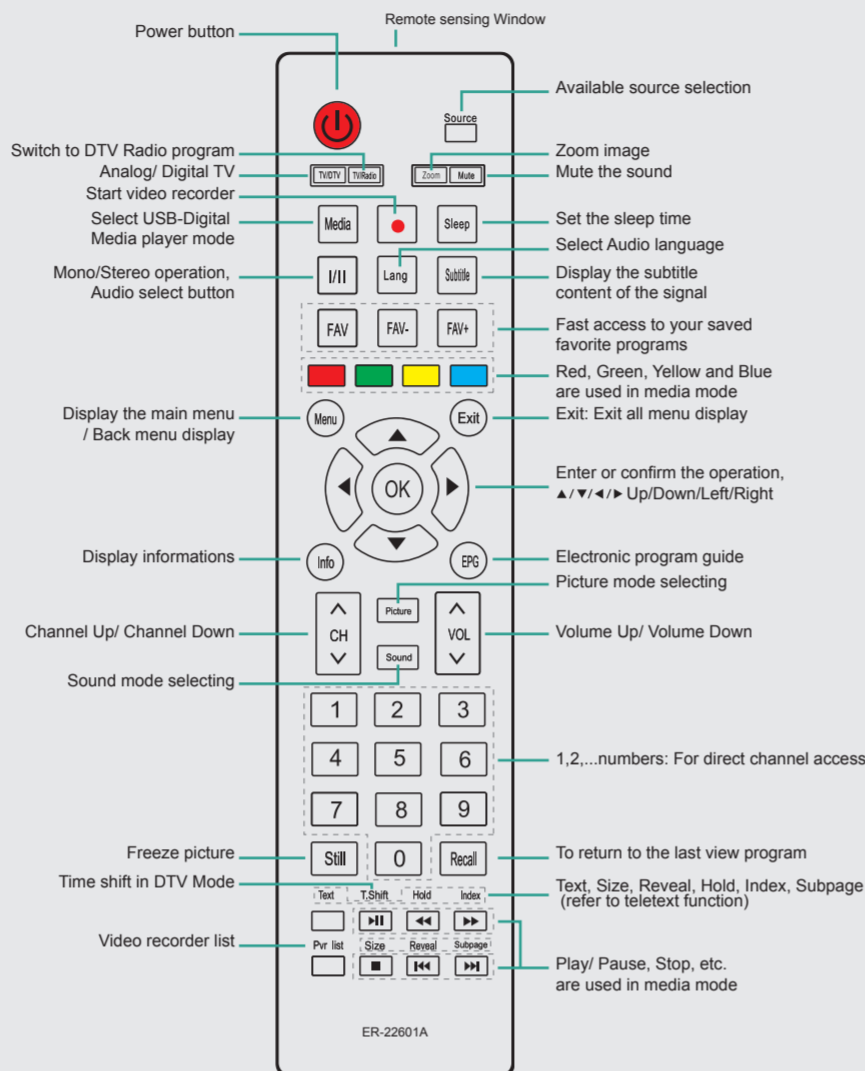
To prevent internal damage to the TV and ensure the TV is mounted securely, be sure to use fixing screws (Not provided) which are 7 mm to 9 mm in length when measured from the attaching surface of the mounting hook.

Wall-mount hole pattern VESA (mm)	100 × 100
Wall-mount screw size (mm)	M4

Follow instructions provided with the wall bracket.

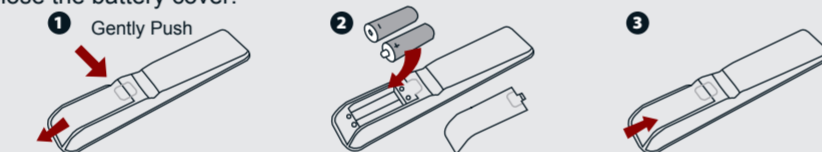
- If you are not sure of your ability to complete the installation, contact a professional installer or service technician for assistance. The manufacturer is not responsible for any damages or injuries that occur due to mishandling or incorrect assembly.
- Be sure to use the provider spacers between the TV and the bracket when attaching the mount.

4 REMOTE FUNCTIONS



CHANGE THE BATTERIES

1. Slide open the battery cover on the back of the remote control.
2. Install two AAA size (1.5V) batteries. Match the "+" and "-" signs on the batteries to the signs on the battery compartment.
3. Close the battery cover.

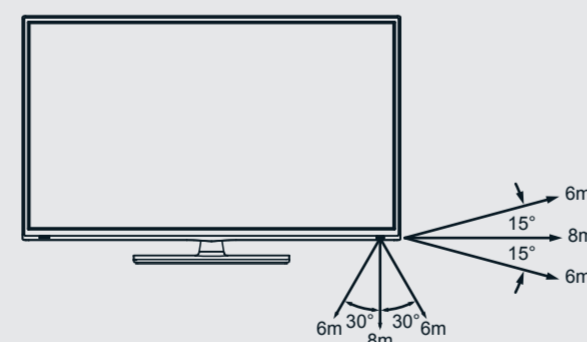


NOTES

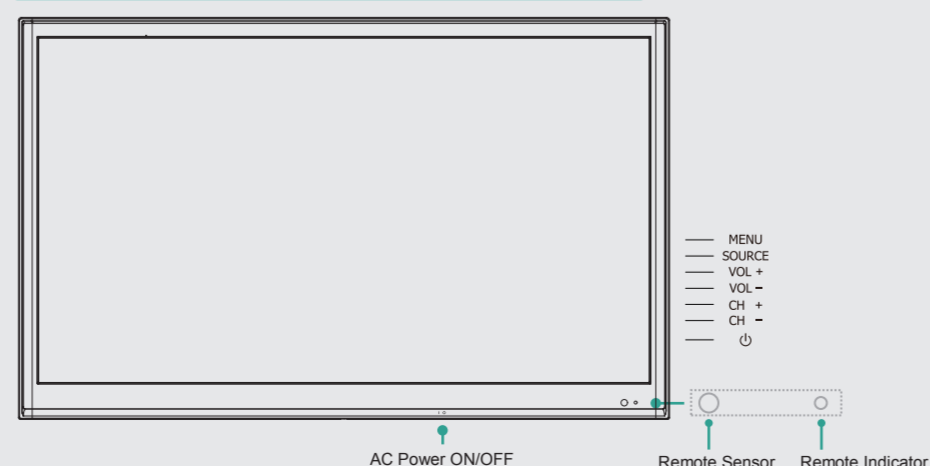
- Dispose of your batteries in a designated disposal area. Do not throw the batteries into fire.
- Do not mix battery types or combine used batteries with new ones.
- Remove depleted batteries immediately to prevent battery acid from leaking into the battery compartment.
- If you do not intend to use the remote control for a long time, remove the batteries.
- The effective range of remote control is suggested in the figure below.

REMOTE CONTROL RANGE

1. The maximum distance is 8 meters in front of the TV set.
2. The remote control is effective within 30 Degrees of horizontal angle, or 15 Degrees of vertical angle at maximum distances of 6 meters.



5 TV FRONT

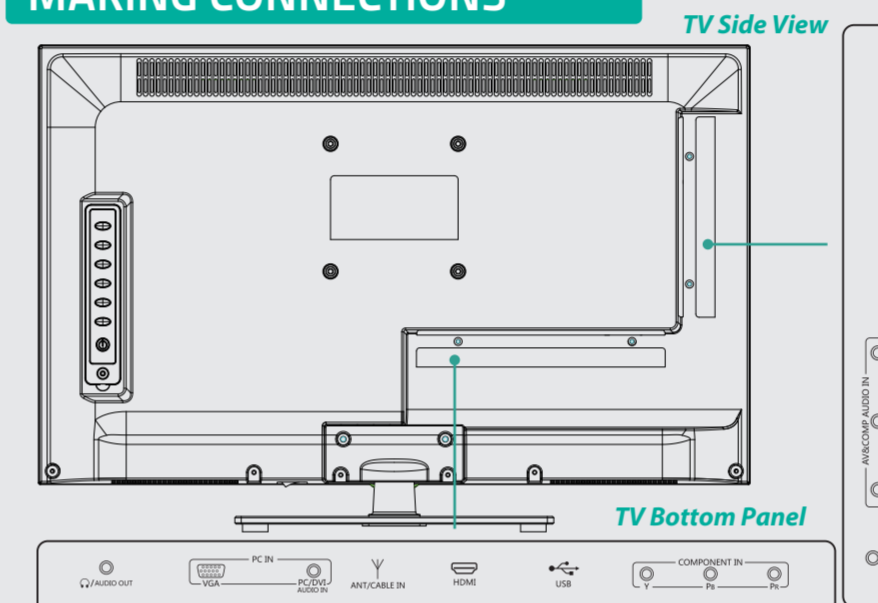


item	Description
Remote Sensor	Receive remote signals from the remote control. Do not put anything near the sensor, as its function may be affected.
Remote Indicator	Red light up in standby mode. Blue light up in power on mode.
MENU	Open the OSD menu.
SOURCE	Select among the different signal sources.
CH + -	Select the channel.
VOL + -	Adjust the volume.
STANDBY	Turn on the TV or put the TV in standby mode.

NOTES

- FOR ILLUSTRATION ONLY.
- Powering up or down the TV requires several seconds of processing time. Do not rapidly turn the TV on/off as abnormal operation may occur.

6 MAKING CONNECTIONS

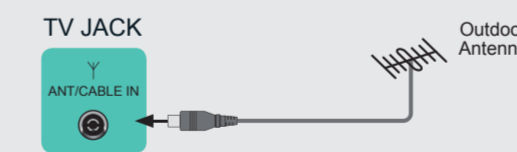


item	Description
ANT/CABLE IN	Connect an antenna or cable TV to this jack.
HDMI	HDMI (High-Definition Multimedia Interface) provides uncompressed video data and digital audio data. Support: 480i\480p\576i\576p\720p\1080i\1080p
COMPONENT IN	Connect to a DVD player, Digital Set-Top-Box, or other A/V devices with component (YPBPR) video and audio output jacks. Component audio Jack share AV IN audio Jack. Support: 480i\480p\576i\576p\720p\1080i\1080p
AV&COMP AUDIO IN	Connect to the composite video and audio (L/R) output jacks on external video devices.
VGA PC/DVI AUDIO IN	Connect to a PC or other devices with a VGA interface.
AUDIO OUT	Connect to headphone for private listening.
USB	Video, MP3, JPEG play and software update.
COAXIAL	Connect to an external digital audio device.

Check the jacks' for position and type before making any connections. Loose connections can result in image or color problems. Make sure that all connections are tight and secure.

ANT

Connect an outdoor VHF/UHF antenna.



Turning the TV On for the First Time

Connect an RF cable from the TV's input called "ANT/CABLE IN" and to your TV Aerial socket.

OSD Language:

Press [Left/Right] button to select the language to be used for menus and message.

Mode Setting: Press [Left/Right] button to select mode.

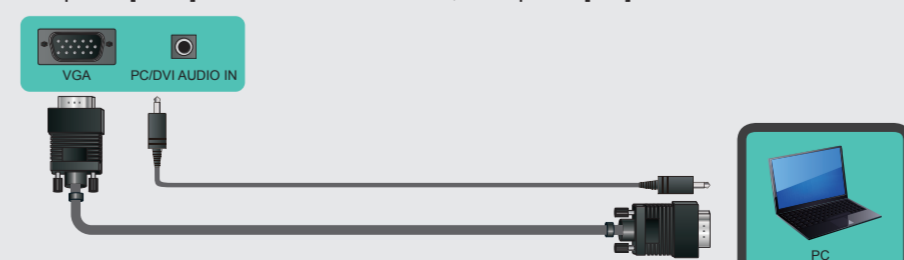
Country: Press [Left/Right] button to select the country you want to.

Auto Scan: Press [Left/Right] button to select Mode: DTV+ATV, DTV, ATV.

VGA & AUDIO

Connect a VGA cable and an audio cable from the PC.

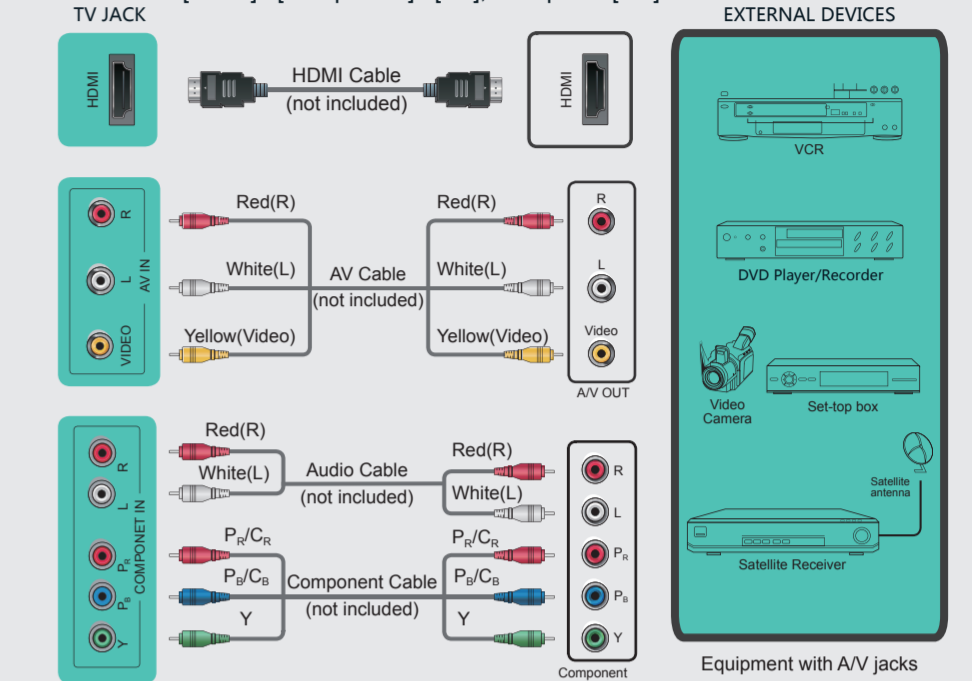
- To select the PC: Press [Source] button, when the list of In Source appears, press [Up/Down] to select the source PC, then press [OK] to connect.



HDMI / COMPONENT IN / AV IN

Connect an HDMI cable or Component in/AV IN Adapter from an external A/V equipment. No sound connection is needed for HDMI to HDMI connection. If the device signal resolution does not match the specification table you need to change the setting of device according to the table. Please consult your device user manual for instruction.

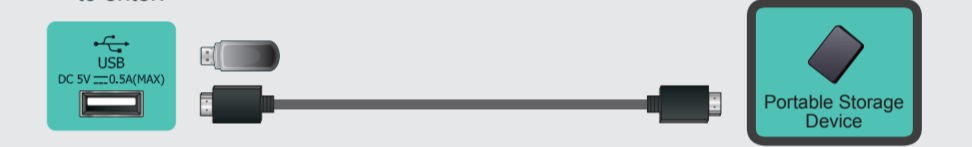
- To select the HDMI / Component / AV Press [Source] button, when the list of Input Source appears, press [Up/Down] to select the source [HDMI] / [Component] / [AV], then press [OK] to connect.



USB

Connect a USB 2.0 device port for browsing photos, listening music and watching recorded movies.

- Press [Left/Right] button to select USB in the Source menu, then press [OK] button to enter.



COAXIAL audio

1. Use a coaxial cable to connect the A/V device's digital audio in jack to the TV's DIGITAL AUDIO OUT jack.
2. Plug the connected devices into the mains socket before switching on the TV.
3. Select the corresponding source from the TV.



AUDIO OUT

Connect Headphone for audio out of the TV.



7 SPECIFICATIONS

Size with base (mm)	557×160×381
Size without base (mm)	557×47×344
Gross Weight (kg)	5.3
Net Weight (kg) (with base/without base)	4.3/3.6
Screen Diagonal Size	24 inches
Screen Resolution	1366 × 768
Sound Output (RMS)	2.5 W + 2.5 W
Power Consumption	35 W
Power Supply	220V - 240V ~ 50Hz/60Hz
Colour System	PAL, SECAM
Television System	PAL B/G D/K, SECAM B/G D/K, DVB-T
Environmental Conditions	Temperature: 5°C - 45°C Humidity: 20% - 80% RH Atmospheric pressure: 86 kPa - 106 kPa
Component mode	480i\480p\576i\576p\720p\1080i\1080p
VGA mode	640×480, 800×600, 1024×768, 1280×1024 60Hz
HDMI mode	480i\480p\576i\576p\720p\1080i\1080p

Attention: Excessive sound pressure from earphones and headphones can cause hearing loss.

NOTE

Features, appearance and specifications are subject to change without notice.

If you encountered difficulty when setting up your TV, we suggest you refer to the Trouble Shooting tips in the User Manual.