

1 ACCESSORIES LIST

- User Manual
- Quick Setup Guide
- Remote Control

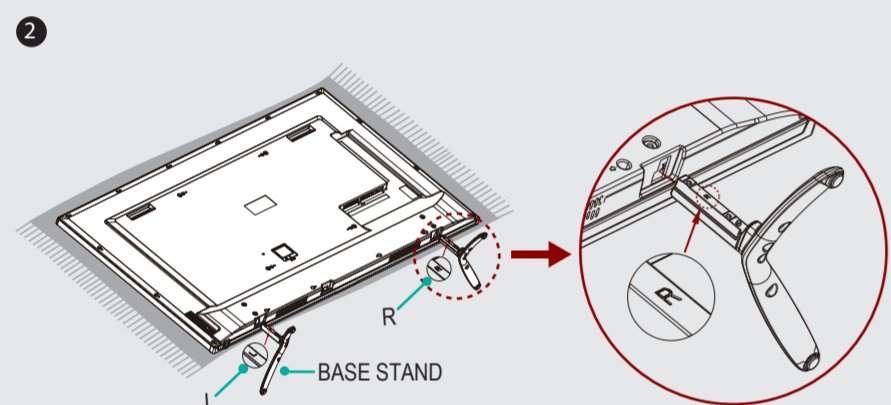
- Power Cable
- Batteries: AA × 2

- Screws (M4×12) × 4

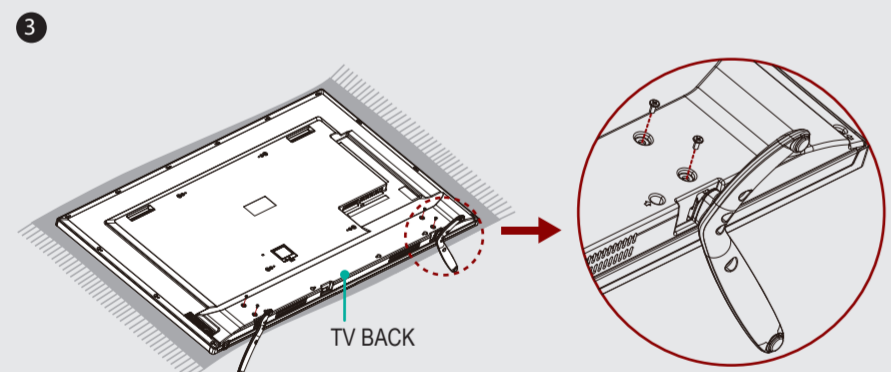
• If the item is not specified in the accessories list, it should be provided by customer.

2 INSTALLING THE STAND

1 Carefully place your TV facedown on a soft, flat surface to prevent damage to the TV or scratching to the screen.



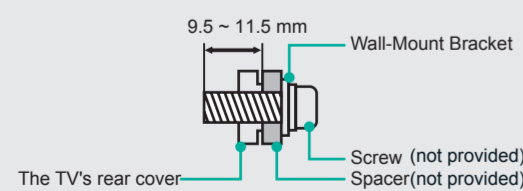
Insert the stands into the bottom slots of the TV. Attention: The stands need to be installed according to the direction mark on the stand surface. When face toward the back of the TV, insert the base stand marked "L" into the left slot and insert the base stand marked "R" into the right slot.



Align the BASE STAND with the screw holes on the bottom of TV BACK, secure the BASE STAND to the TV with the 4 screws M4×12 in accessory tightly.

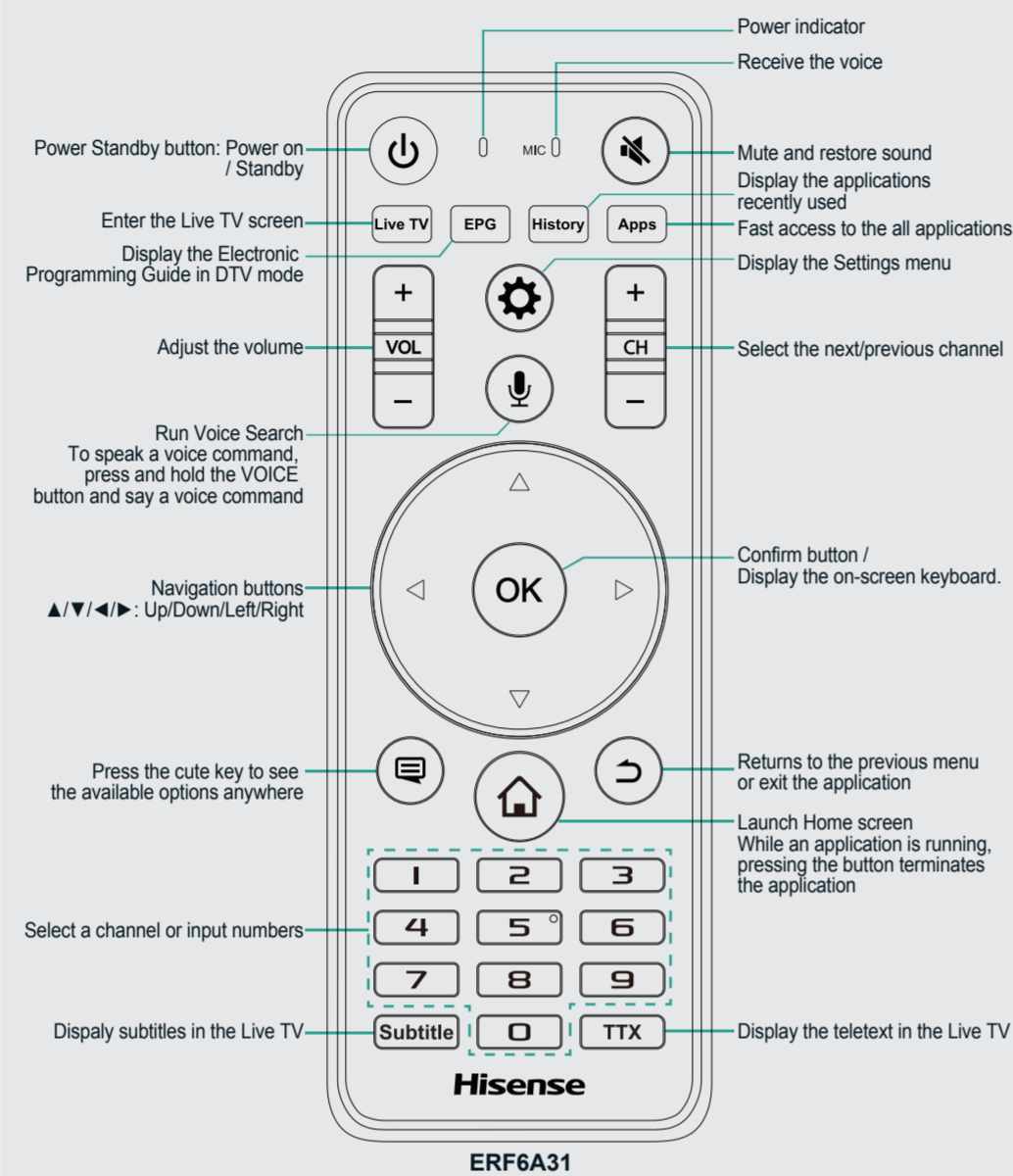
NOTE
Product image is only for reference, actual product may vary in appearance.

WALL-MOUNT BRACKET (not provided)



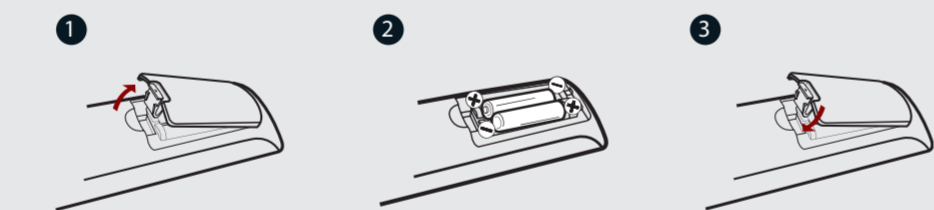
Wall-Mount hole pattern VESA (mm)	400 × 400
Wall-Mount screw size (mm)	M6

3 VIEWING THE REMOTE CONTROL



CHANGE THE BATTERIES

- Press and lift the back cover to open the battery compartment of the remote control.
- Insert two AA size batteries. Make sure to match the (+) and (-) ends of the batteries with the (+) and (-) ends indicated in the battery compartment.
- Close the battery compartment with the cover.



NOTES

- Dispose of your batteries in a designated disposal area. Do not throw the batteries into fire.
- Do not mix battery types or combine used batteries with new ones.
- Remove depleted batteries immediately to prevent battery acid from leaking into the battery compartment.
- If you do not intend to use the remote control for a long time, remove the batteries.

Pairing the Remote Control

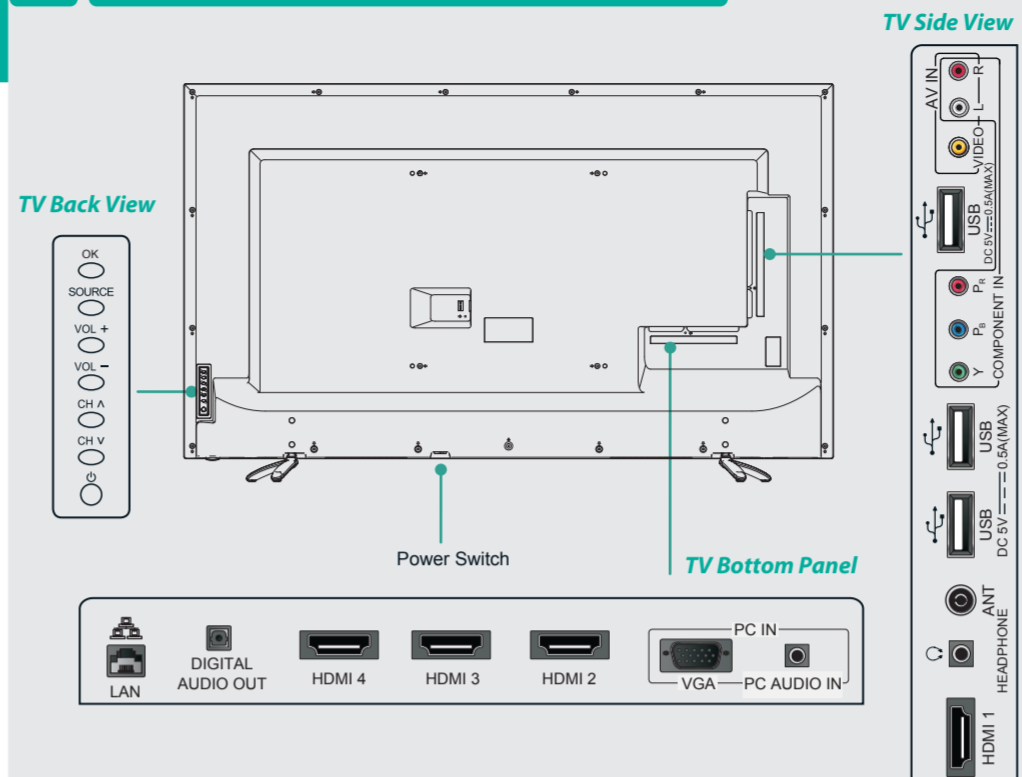
The First Method
The Setup Wizard menu appears the first time you turn on the TV. Step of the remote pairing, press and hold down the [MUTE] and [POWER] buttons simultaneously until the red LED turns on. When the red LED lights, release the buttons and wait for the TV to pair with the remote. The blue LED on the remote control will flash three times when the pairing is successfully completed.

The Second Method
1. Enter Settings > Bluetooth to turn on Bluetooth.
2. Press and hold the [MUTE] button and the [POWER] button for three seconds simultaneously.
3. Select Find nearby devices to search the remote control, and the remote control will appear in available devices, then press the [▲/▼] buttons to select the Remote Control and press the [OK] button to pair.

NOTE

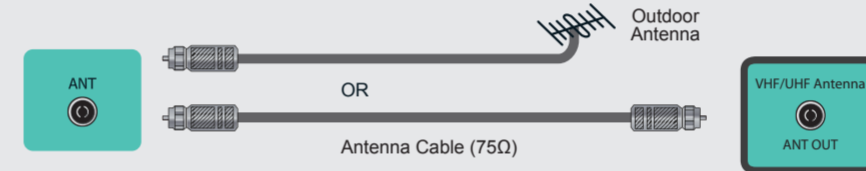
If the LED is red, the remote has failed to pair with the TV, please repeat the pairing procedure until succeeding.

4 MAKING CONNECTIONS

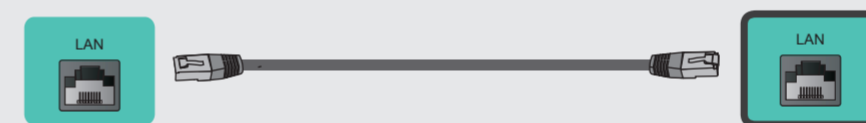


Check the jacks' for position and type before making any connections. Loose connections can result in image or color problems. Make sure that all connections are tight and secure.

ANT Connect an outdoor VHF/UHF antenna.



LAN Connect an ethernet cable to access a network or the Internet.



Turning the TV On for the First Time

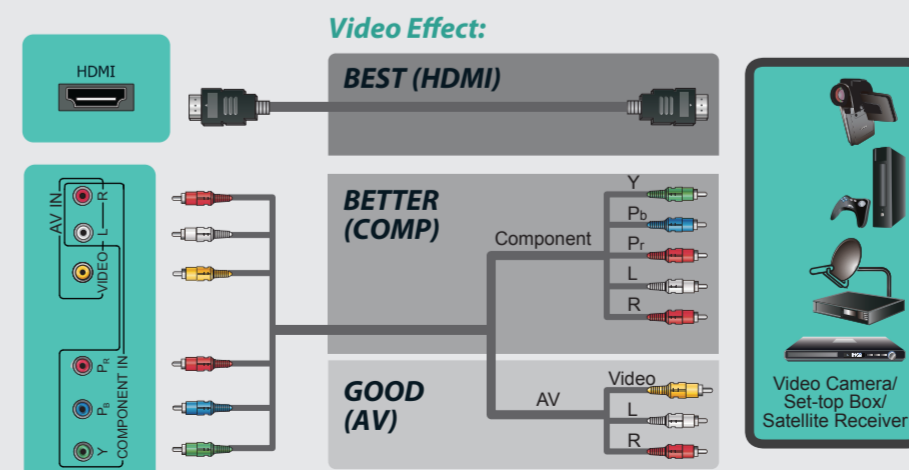
The Installation Guide Menu appears the first time you turn on the TV. The wizard will guide you step-by-step through the initial setup and configuration of your television.

- Press [POWER] to turn on your TV, it will go straight into Setup Wizard menu
- Press the [▲/▼/◀/▶] buttons to navigate the menu and change the settings. Press the [OK] button to confirm.
- Language setting** - Select your desired language to be displayed on the menu.
- Select region** - Select the country where you will operate the TV.
- Remote pairing** - Pair the remote control with the TV via Bluetooth.
- Legal notice** - View the legal information, you can send report to Hisense or not.
- Connect to the internet** - Connect your TV to access the network via Ethernet cable or WiFi. Please refer to the user manual (Setting > Wi-Fi or Ethernet) for more information.
- Google Account** - Log in or register a new Google Account.
- Select use mode** - Select the TV's usage mode: Home Mode / Retail Mode
- Help Make Google TV better** - Select sending report to Google or not.
- Channel installation** - Search and store available TV channels according to the input signal.

HDMI / COMPONENT / AV

Connect a HDMI cable or COMPONENT/AV Adapter from an external A/V equipment. No sound connection is needed for HDMI to HDMI connection. If the device signal resolution does not match the specification table you need to change the setting of device according to the table. Please consult your device user manual for instruction.

- To select the HDMI / Component / AV
- Press the [MUTE] button to display the Setting menu and select Video input, and then select the source [HDMI] / [Component] / [AV] to connect from the list.



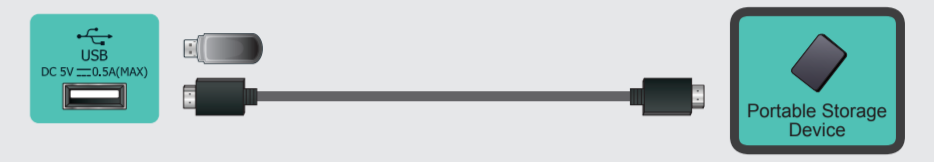
VGA & AUDIO

Connect a VGA cable and an audio cable from the PC.
• To select the VGA: Press the [MUTE] button to display the Setting menu and select Video Input, and then select the source [VGA] to connect from the list.



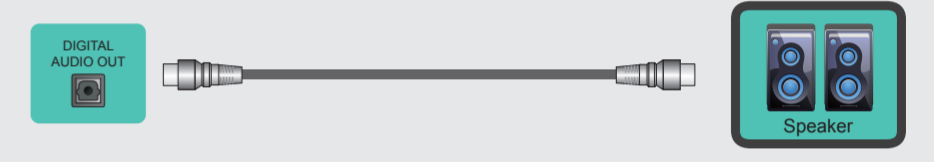
USB

Connect a USB device port for browsing photos, listening music and playing movies.



DIGITAL AUDIO OUT

Connect an optical cable from an external digital audio system (Toslink optical cable is needed).



HEADPHONE Connect Headphone for audio out of the TV.



5 SPECIFICATIONS

Model	60K390PAG
Size with base (mm)	1349×827×258
Size without base (mm)	1349×779×64
Weight with base (kg)	24.2
Weight without base (kg)	23.7
Active Screen Size(Diagonal)	60 inches
Screen Resolution	1920 × 1080
Sound Output (RMS)	10 W + 10 W
Power Consumption	160 W
Power Supply	AC 100V - 240V ~ 50Hz/60Hz
Colour System	PAL NTSC SECAM
Television System	PAL B/G SECAM D/K DVB-T
Environmental Conditions	Temperature: 5°C - 45°C Humidity: 20% - 80% RH Atmospheric pressure: 86 kPa - 106 kPa
Component mode	480i/60Hz, 480P/60Hz, 576i/50Hz, 576P/50Hz, 720P/50Hz, 720P/60Hz, 1080i/50Hz, 1080i/60Hz, 1080P/50Hz, 1080P/60Hz
VGA mode	640×480, 800×600, 1024×768, 1280×1024 60Hz
HDMI mode	480i/60Hz, 480P/60Hz, 576i/50Hz, 576P/50Hz, 720P/50Hz, 720P/60Hz, 1080i/50Hz, 1080i/60Hz, 1080P/50Hz, 1080P/60Hz, 640×480, 800×600, 1024×768

NOTE

Features, appearance and specifications are subject to change without notice.
If you encountered difficulty when setting up your TV, we suggest you refer to the Trouble Shooting tips in the User Manual.