

	1	2	3	4
A	97819080X			
B	<h2 style="text-align: center;">技术要求</h2> <ol style="list-style-type: none"> 1. 材料: $\dot{\text{I}}\text{€}$胶版纸, 正反面印刷; 2. 印刷为黑白色单色印刷; 3. 所有印刷内容正确、清晰, 不得有漏印、误印, 无印刷缺陷; 4. 幅面: $(210 \pm 3) \times (145 \pm 3)$, (单位: mm); 5. 未注公差按照GB/T 1804-m; 6. 颜色及整体效果必须经过研发部确认后方能生产, 产品检验以封样件为准; 7. 符合RoHS现行标准要求和REACH指令。 8. 说明书警示语部分的文字大写字母高度必须大于3mm。 			
C				
D				
	2316145 英阿文			
借(通)用件登记	第23, 27, 28页修改			
旧底图总号				
底图总号				
			$\dot{\text{I}}\text{€}$ 双胶纸	洗衣机研发部
	版本号	B	更改单编号	说明书
出图审查	设计	邱良顺 2023.1.29	会签	重量
	审核	刘松 2023.1.29	会签	比例
日期	工艺	匡永坤 2023.1.29		
	标准化	程木聪 2023.1.29	批准	崔维明 2023.1.29
			图形识别符号	
				X08061826
	1	2	3	4

Hisense

life reimagined

USER'S OPERATION MANUAL

Before operating this unit, please read this manual thoroughly, and retain for future reference

HWFS8514E
HWFS1015E

English

This washing machine is intended solely for household use.
Please do not use it for any laundry labelled as not suitable for
machine washing.

The following symbols are used throughout the manual and they have the following meanings:



Information, advice, tip, or recommendation



Warning – general danger



Warning – danger of electric shock



Warning – danger of hot surface



Warning – danger of fire



It is important that you carefully read the instructions.

SAFETY PRECAUTIONS



Carefully read the instructions for use before using the washing machine.

Please, do not use the washing machine without reading and understanding these instructions or use first.

These instructions for use of a washing machine are supplied with different types or models of washing machines. Therefore, they may include descriptions of settings or equipment that are not available in your washing machine.

Failure to observe the instructions for use or inappropriate use of the washing machine may result in damage to the laundry or the appliance, or injury to the user. Keep the instruction manual handy, near the washing machine.

Your washing machine is intended solely for household use. If the washing machine is used for professional, for-profit purpose or purpose exceeding normal use in a household, or if the washing machine is used by a person who is not a consumer, the warranty period shall be equal to the shortest warranty period required by relevant legislation.

Follow the instructions for correct installation of the washing machine and connection to the water and power mains (see chapter »INSTALLATION AND CONNECTION«). Connection to water and power supply has to be executed by an adequately trained technician or expert.

Any repair and maintenance pertaining to safety or performance should be done by trained experts.

To avoid danger, a **damaged power** cord may only be replaced by the manufacturer, a service technician, or an authorized person.

Before connecting the washing machine to the power mains, wait for at least 2 hours until it reaches room temperature.

This product must be serviced by an authorized Service Center, only use approved spare parts by authorized manufacturers.

Under no circumstances should you attempt to repair the appliance yourself. Repairs carried out by inexperienced persons may cause injury or more serious malfunctioning. Refer to your local Service Center, and always insist on genuine spare parts.

In case of incorrect washing machine connection, incorrect use, or servicing by an unauthorized person, the user shall bear the cost of any damage as such damage shall not be covered by warranty.

The washing machine may not be connected to the power mains using an extension cord.

Do not connect the washing machine to power mains using an external switching device such as a programme timer, or connect it to power mains that is regularly switched on and off by the power supply provider.

Do not connect the washing machine to an electrical outlet intended for an electric shaver or hair dryer.

The power socket has to be safely earthed, and the water supply should be unimpeded.

Do not install the washing machine in a room where the temperature can drop to below 5°C, as washing machine parts may be damaged in case of water freezing.

Place the washing machine on a level and stable solid (concrete) base.

If the washing machine is placed on an elevated stable base, the washing machine has to be additionally secured against tipping.

Before the first use of the washing machine, remove the blocking rods, as switching on a blocked washing machine can result in serious damage (see chapter »INSTALLATION AND CONNECTION/Removing the blocking rods«). Warranty shall be void in cases of such damage.

To connect the washing machine to water supply, make sure to use the supplied water supply hose and gaskets. Water pressure has to be between 0.1–1 MPa (1-10 bar; 1–10 kp/cm²; 10–100 N/cm²).

Always use a new water supply hose to connect the washing machine to water supply; do not reuse an old water supply hose.

The end of the water discharge hose should reach into a water drain line.

Before the start of the washing cycle, press the door on the indicated spot until it locks into place. The door cannot be opened during washing machine operation.


We recommend removing any impurities from the washing machine drum before the first wash using the Drum clean programme (see PROGRAMME TABLE).

After the washing cycle, close the water tap and pull out the washing machine plug from the power socket.

Only use the washing machine for washing laundry, as described in the instruction manual. The machine is not intended for dry cleaning.

Only use agents for machine washing and care of laundry. We shall not be responsible for any damages or discolouration of gaskets and plastic parts resulting from incorrect use of bleaching or colouring agents.

When descaling, only use descaling agents with added anti-corrosion protection. (Only use non-corrosive descaling agents.) Follow the manufacturer's instructions. Finish the descaling process with several rinse cycles or by running the Drum clean (Self-cleaning programme) in order to remove any residual acid (e.g. vinegar etc.).

 Do not use detergents that contain solvents as this could lead to release of poisonous gases, damage to the washing machine, and risk of fire and explosion.

No silver ions are released during the washing programme.

The washing machine is not intended for use by persons (including children) with physical or mental impairments, or persons with lacking experience and knowledge. These persons should be instructed about the use of the washing machine by a person responsible for their safety.

The warranty does not cover consumables, minor deviations in colour, increased noise that results from appliance age and which does not affect the functionality of the appliance, and aesthetic defects on components, which do not affect the functionality and safety of the appliance.

CHILD SAFETY

Before closing the washing machine door and running the programme, make sure there is nothing except laundry in the drum (e.g. if a child climbed into the washing machine drum and closed the door from the inside).

Keep the detergent and conditioner out of reach of children.

Activate the child lock. See chapter »CHOOSING THE SETTINGS/Child lock«.

Do not let children younger than three years come near the appliance, unless they are under constant supervision.

The washing machine is made in compliance with all relevant safety standards.

This washing machine may be used by children aged 8 years and above and by persons with reduced physical, sensory or mental capabilities or lack of experience and knowledge, but only if they are supervised during the use of

the washing machine, if they have been provided relevant instructions regarding safe use of the washing machine, and if they understand the hazards of inappropriate use. Make sure children do not play with the appliance. Children may not clean the washing machine or perform any maintenance tasks without supervision.

DANGER OF HOT SURFACE

At higher washing temperatures, the door glass will heat up. Be careful to avoid burns. Make sure children do not play near the door glass.

WATER OVERFLOW PROTECTION (WITH WASHING MACHINE SWITCHED ON)

If the water level in the appliance rises above normal level, then the excess water level protection will be activated. It will shut off the water supply and start pumping out the water. The program is interrupted and an error is reported (see TROUBLESHOOTING TABLE).

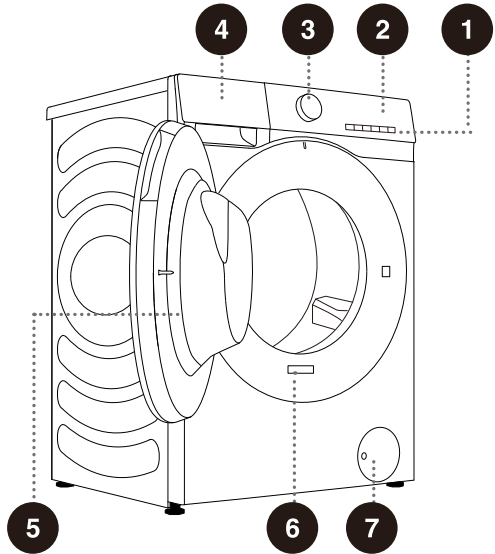
TRANSPORT/TRANSPORT AFTER INSTALLATION

If you intend to move the washing machine after it has been installed, then it should be blocked by inserting at least one blocking rod (see chapter »INSTALLATION AND CONNECTION/Moving and transport«). Before inserting the blocking rods, disconnect the washing machine from the power mains!

WASHING MACHINE DESCRIPTION

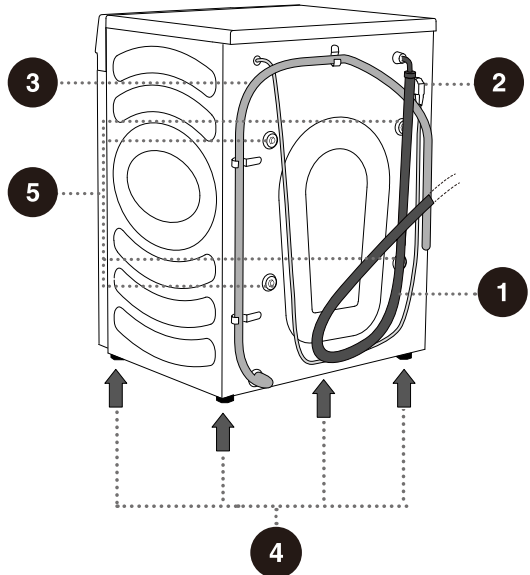
FRONT

- 1 Start/pause button
- 2 Control unit
- 3 Programme selector knob
- 4 Detergent compartment
- 5 Door
- 6 Rating plate
- 7 Pump filter cover



BACK

- 1 Water supply hose
- 2 Power cord
- 3 Water discharge hose
- 4 Adjustable feet
- 5 Blocking rods/screws



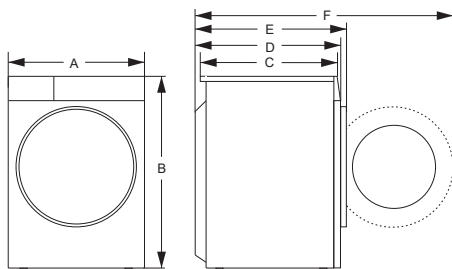
TECHNICAL SPECIFICATIONS

(DEPENDING ON THE MODEL)

Rating plate with basic information about the washing machine is fitted on the front wall of the washing machine door opening (see chapter »WASHING MACHINE DESCRIPTION«).


Maximum load	8.5 kg	10.0 kg
Washing machine weight	67 kg	
Rated Voltage	220-240V~	
Nominal power	1750W	
Frequency	50Hz	


Dimensions(mm)



Index	Dimension(mm)
Maximum load	8.5kg/10.0kg
A	595
B	845
C	560
D	590
E	620
F	1100

Rating plate

Hisense Clothes Washing Machine 
HWFS8514E **8.5kg**
Made in China
 APPROVAL NO.
220-240V~ 50Hz 1750W IPX4 SGS-220998-EA
Hisense Australia Pty Ltd.

Hisense Clothes Washing Machine 
HWFS1015E **10.0kg**
Made in China
 APPROVAL NO.
220-240V~ 50Hz 1750W IPX4 SGS-220998-EA
Hisense Australia Pty Ltd.

⚠ Before connecting the washing machine to the power mains, wait for at least 2 hours until it reaches room temperature.

INSTALLATION AND CONNECTION

⚠ Remove all packaging. When removing the packaging, make sure not to damage the appliance with a sharp object. Keep the packaging material (plastic bags, other plastic parts etc.) out of reach of children.


Check for any damage on the appliance. If you suspect the appliance is damaged, do not use it and immediately contact the service unit.

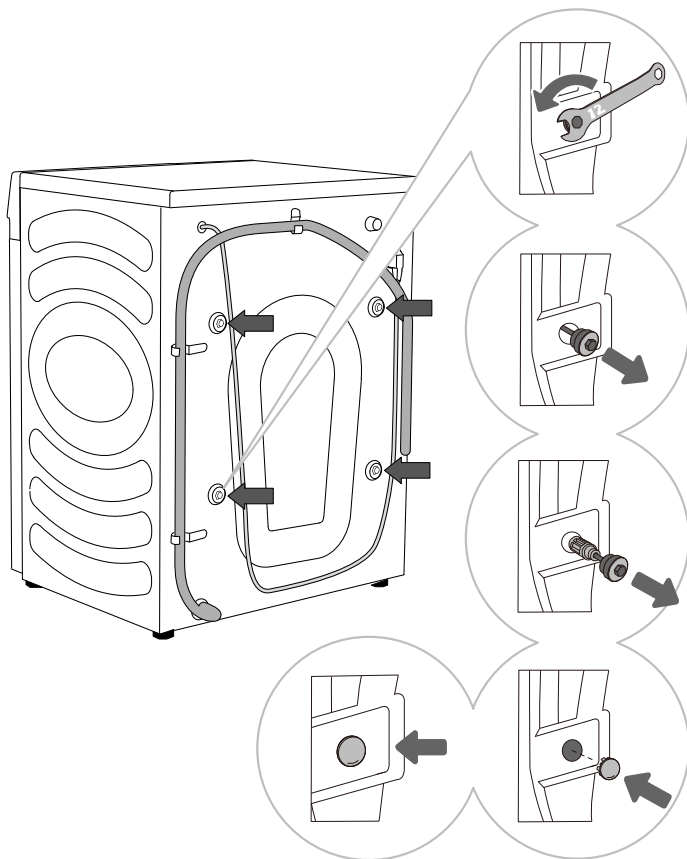
The appliance is supplied with a support set that includes:

- Instructions for use,
- 4 plastic plugs,
- supply hose,
- drain hose holder.

Make sure all of the above is supplied.

REMOVING THE BLOCKING SCREWS/RODS

 Before the first use of the appliance, transport screws/rods must be removed. A blocked appliance may be damaged when it is switched on for the first time. Warranty shall be void in cases of such damage.




.....
1 Move aside the hoses and use a fitting spanner to undo the 4 screws on the back of the appliance by turning them counter clockwise, as indicated by the arrow. Undo them by approximately 30 mm (not completely).
.....

2 Pull all 4 transport screws/rods horizontally.
.....

3 Pull out the transport screws/rods completely with the rubber and the plastic part.
.....

4 Cover the four holes through which the blocking screws/rods were inserted with plastic plugs. The plastic plugs are supplied in the bag with the washing machine instruction manual (the support set).
.....

 Save the transport screws/rods in case you have to transport the appliance again later (to reinstall the blocking screws/rods, follow the above procedure in reverse order).

MOVING AND TRANSPORT AFTER INSTALLATION

💡 If you wish to move the washing machine after it has been installed, the blocking screws/rods have to be re-installed to prevent vibration damage to the washing machine during transport (see chapter» INSTALLATION AND CONNECTION/Removing the blocking screws/rods«). If you lost the blocking screws/rods, they can be ordered from the manufacturer.

⚠ After transport, the washing machine should be left to stand still for at least two hours before it is connected to the power mains, so that it can reach room temperature. The appliance should be installed and connected by a trained technician.

⚠ Carefully read the instructions for use before connecting the washing machine. Repair or any warranty claim resulting from incorrect connection or use of the washing machine shall not be covered by the warranty.

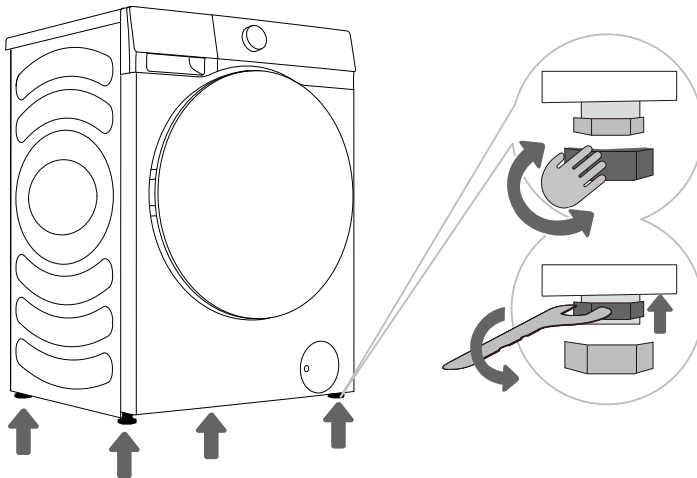
SELECTING THE ROOM

⚠ Floor on which the washing machine is placed must have a concrete base. It should be clean and dry; otherwise, the washing machine may slide. Also, clean the bottom surface of adjustable feet.

⚠ The washing machine must stand level and stable on a solid base.

ADJUSTING THE WASHING MACHINE FEET

Use a spirit level and the supplied spanner.



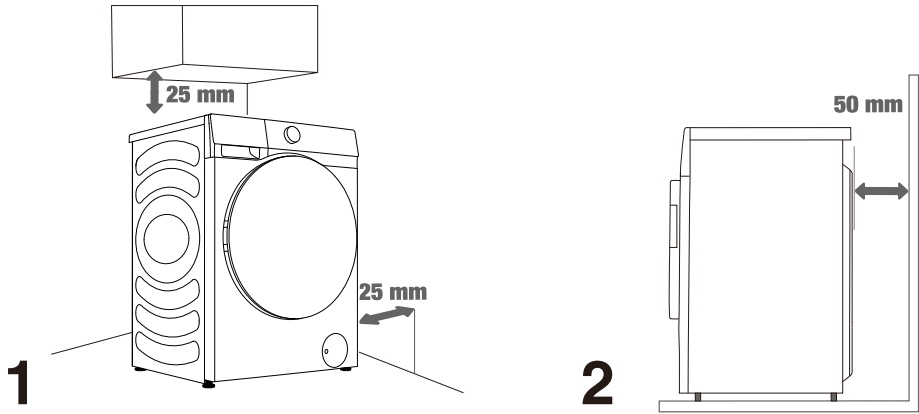
1 Rotate the adjustable feet to level the washing machine lengthwise and crosswise. The feet allow levelling by +/- 2 cm.

2 After adjusting the height of the feet, firmly tighten the jam nuts (counter nuts) using the supplied spanner by turning them towards the bottom of the washing machine ↑ (see figure).

⚠ Incorrect levelling of the washing machine with the adjustable legs may cause vibration, appliance sliding across the room, and loud operation. Incorrect levelling of the washing machine is not subject to warranty.

⚠ Sometimes, unusual or louder noise may appear during appliance operation; these are mostly the result of improper installation.

Washing machine installation clearances



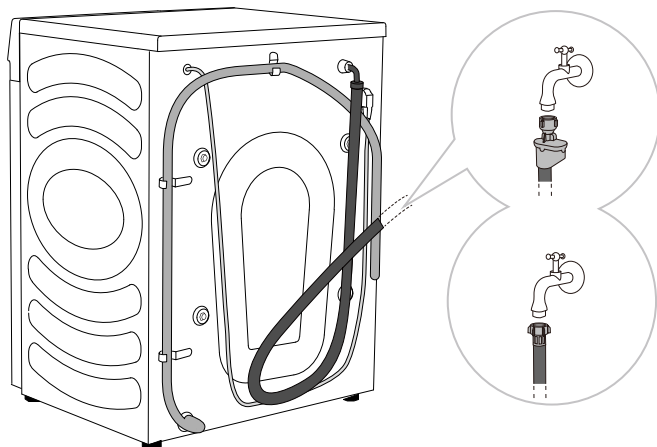
⚠ The washing machine may not be in contact with a wall or adjacent furniture. For optimum washing machine operation, we recommend observing the clearances from the walls as indicated in the figure.

In case of failure to observe the minimum required clearances, safe and correct washing machine operation cannot be ensured. Moreover, overheating can also occur (figures 1 and 2).

⚠ Installing the washing machine under a countertop is not recommended.

CONNECTING TO WATER SUPPLY

Attach the hose to the water tap by screwing it onto the thread.



A AQUA STOP

B REGULAR CONNECTION

⚠ For normal washing machine operation, the pressure in the water mains should be between 0.1–1 MPa (1–10 bar; 1–10 kp/cm²; 10–100 N/cm²). Minimum dynamic water pressure can be determined by measuring the water flow. In 15 seconds, 3 litres of water should flow from a fully open tap.

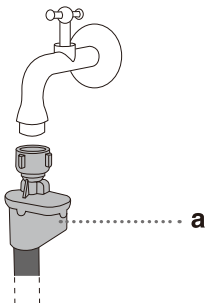
⚠ Tighten the water supply hose by hand, firmly enough for the hose to have a good seal (max. 2 Nm). After connecting the hose, the seal must be checked for any leaks. Do not use pliers or similar tools when connecting the hose as this could damage the nut thread.

⚠ Only use the water supply hose supplied with the appliance. Do not use any used or other hoses.

⚠ Make sure the hose is not damaged. If the hose is degraded, brittle, or cracked, it has to be replaced.

AQUA STOP (ONLY WITH SOME MODELS)

If an internal tube or hose is damaged, a shut-off system is activated that cuts the water supply to the washing machine. In such case, the control glass (a) will turn red. Replace the water supply hose.



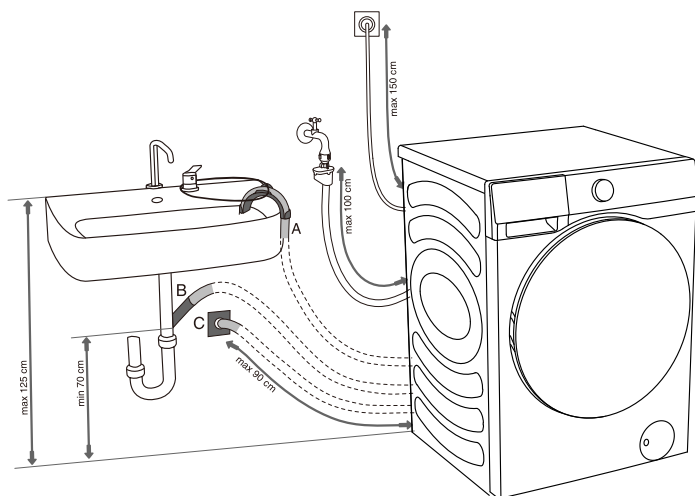
⚠ Do not dip the water supply hose with the Aqua stop system in water as it contains an electric valve.

⚠ The water supply hose can be connected without a non-return valve.

⚠ When connecting the water supply hose, make sure to connect it in a way that allows adequate and unobstructed water supply.

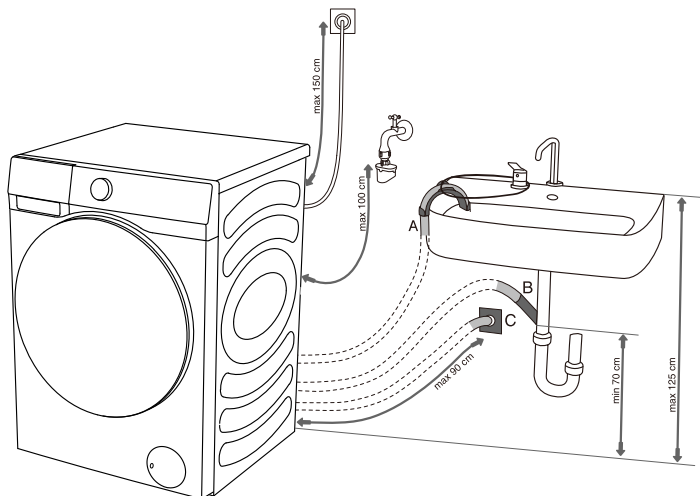
CONNECTING AND SECURING THE WATER DISCHARGE HOSE

Feed the water discharge hose into a washbasin or a bathtub, or connect it directly to a drain (discharge hose minimum diameter 4 cm). The vertical distance from the floor to the end of the discharge hose may be no more than 100 cm and no less than 60 cm. It can be attached in three ways (A, B, C).

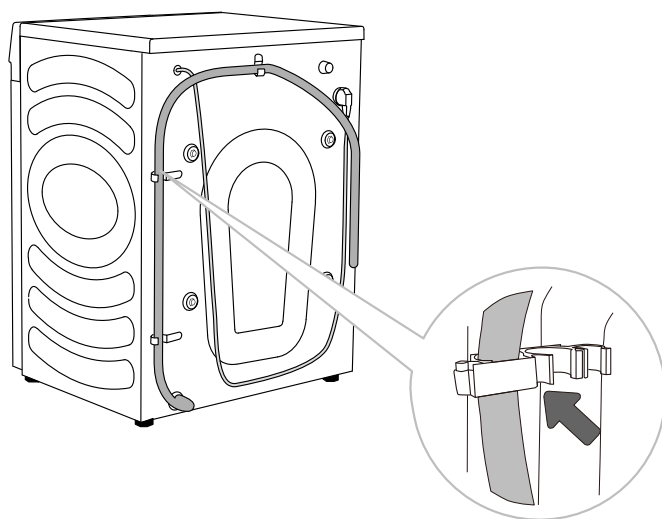


A Discharge hose end may be placed over a sink or a bathtub. B Use a string fed through the opening in the elbow support to attach the hose and prevent it from slipping to the floor.

B Discharge hose may also be attached directly to the sink drain. A sink that is too small is not acceptable. Be careful as the drained water may be hot.



C Discharge hose can also be attached to a wall drain with a trap; such trap should be properly installed to allow cleaning.

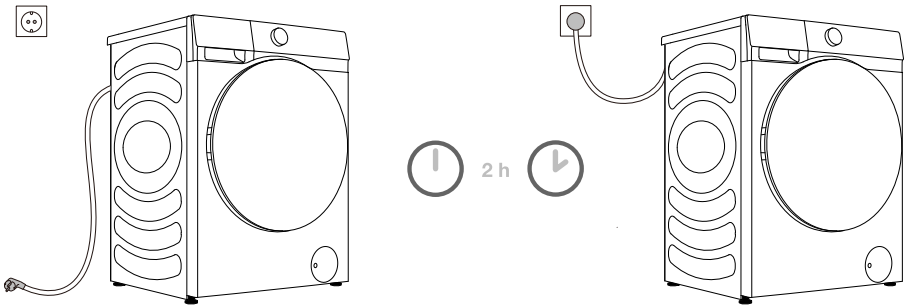


D The discharge hose has to be attached and affixed to the pin on the back of the washing machine, as shown in the figure. Max.

⚠ Make sure the drain hose is not damaged.

⚠ If the discharge hose is not correctly attached, safe and correct washing machine operation cannot be ensured.

CONNECTING THE APPLIANCE TO THE POWER MAINS



⚠ Before connecting the washing machine to the power mains, wait for at least 2 hours until it reaches room temperature.

Connect the washing machine to a grounded power outlet. After installation, the wall outlet should be freely accessible. The outlet should be fitted with an earth contact (in compliance with the relevant regulations).

Information on your washing machine is indicated on the rating plate.

⚠ We recommend using over-voltage protection to protect the appliance in case of a lightning strike.

⚠ The washing machine may not be connected to the power mains using an extension cord.

⚡ Do not connect the washing machine to an electrical outlet intended for an electric shaver or hair dryer.

⚡ Do not plug or unplug the appliance when your hands are wet.

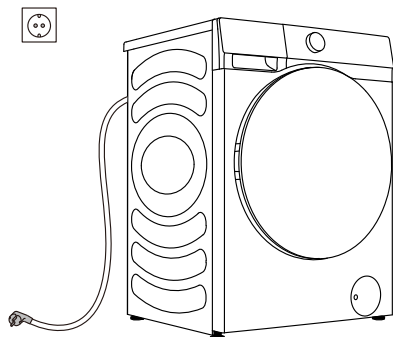
⚡ Any repair and maintenance pertaining to safety or performance should be done by trained experts.

⚡ A damaged power cord may only be replaced by a person authorized by the manufacturer.

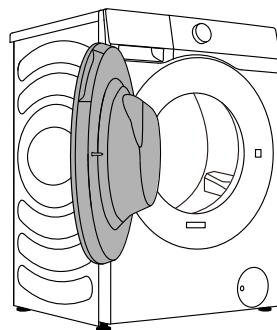
BEFORE USING THE APPLIANCE FOR THE FIRST TIME

Make sure the washing machine is disconnected from the power mains; then, open the door towards you (figures 1 and 2).

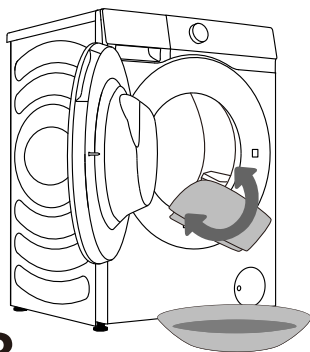
Before using the appliance for the first time, clean the drum using a soft and moist cotton cloth, or use the Drum Clean program. In such case, connect the appliance to the power mains and open the water tap. There should not be any laundry in the drum; the drum should be empty (Figures 3 and 4).



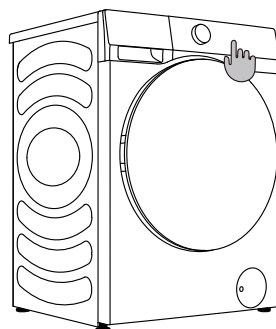
1



2



3





























4

⚠ Do not use any solvents or cleaning agents that could damage the washing machine (please observe the recommendations and warnings provided by the cleaning agent manufacturers).

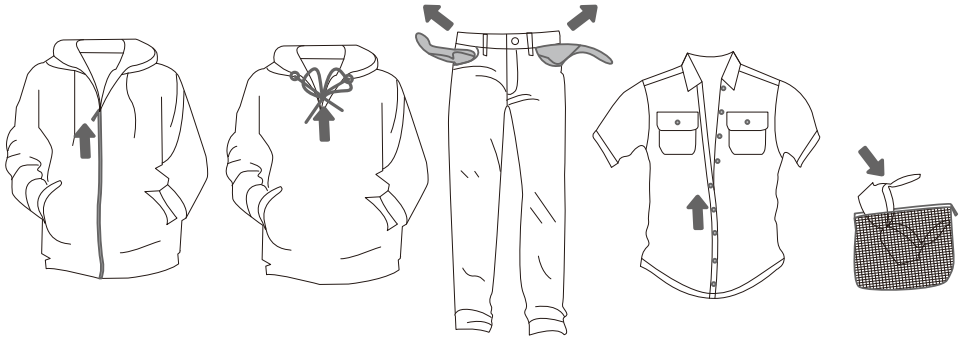
WASHING PROCESS, STEP BY STEP (1–7)

STEP 1: HEED THE LABELS ON THE LAUNDRY

Normal wash; Sensitive laundry	Max. washing temp. 95°C  	Max. washing temp. 60°C  	Max. washing temp. 40°C  	Max. washing temp. 30°C  	Hand wash only 	Do not wash 
Bleaching	Bleaching in cool water 			Bleaching not allowed 		
Dry cleaning	Dry cleaning with all agents 	Petroleum solvent R11, R113 	Dry cleaning in kerosene, pure alcohol, and R113 	Dry cleaning not allowed 		
Ironing	Hot ironing, max. 200°C 	Hot ironing, max. 150°C 	Hot ironing, max. 110°C 	Ironing not allowed 		
Drying	Dry flat (place on a flat surface) 	Drip dry  Line dry 	High temperature  Low temperature 	Do not tumble dry 		

STEP 2: PREPARING THE WASHING PROCESS

1. Sort the laundry by type of fabric, colour, soiling, appliance load, and allowed washing temperature (see PROGRAMME TABLE).
2. Close the buttons and zippers, tie any ribbons, and turn the pockets inside out; remove any metal clips that could damage the laundry and washing machine interior, or clog the drain.
3. Place very sensitive clothes and small items in a special-purpose laundry washing bag.



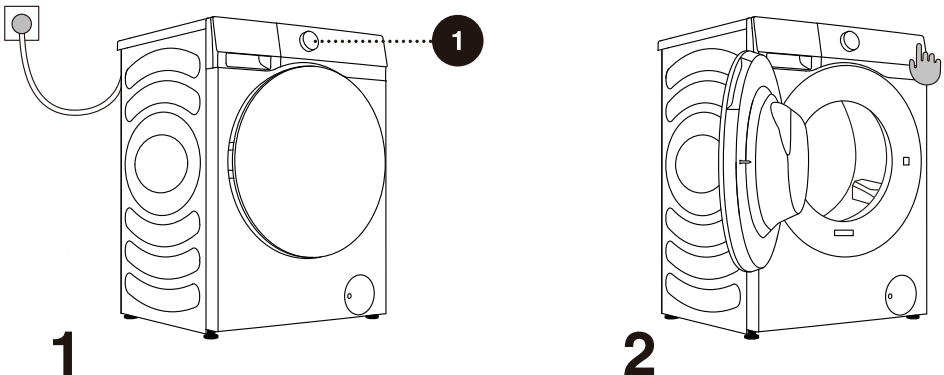
☼ To remove stains, use a stain remover that you can add to the main compartment of the detergent compartment.

☼ When dyeing clothes, only use dyes suitable for use in a washing machine or similar appliance. Observe the dye manufacturer's instructions. Plastic and rubber parts of the appliance may discolour, or take on the colour of the dye you are using.

SWITCHING ON THE WASHING MACHINE

Use the power cord to connect the washing machine to power mains, and connect the washing machine to water supply.

Turn the appliance on by press the button "POWER" (figures 1 and 2).

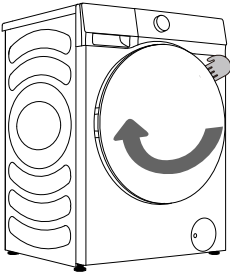


LOADING THE WASHING MACHINE

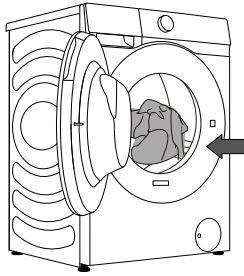
Open the washing machine door by pulling the handle towards you (figure 1).

Insert the laundry into the drum (after making sure the drum is empty) (figure 2).

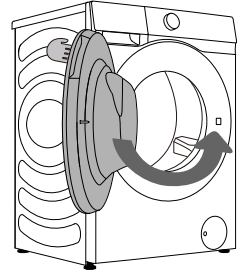
Close the washing machine door (figure 3). The door is closed when you here a click.



1



2



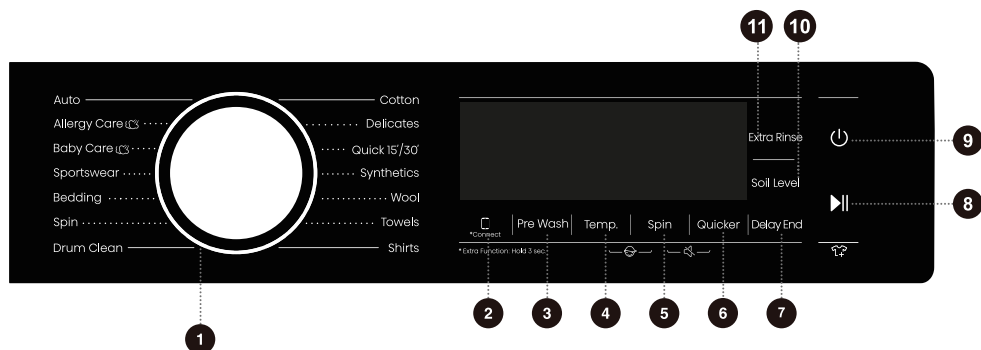
3

⚠ Never try to forcefully open the door. Moreover, do not open the door during washing machine operation.

Do not overload the drum! See PROGRAMME TABLE and observe your nominal load as indicated on the rating plate.

If the washing machine drum is too full, the laundry will not be washed as thoroughly.


CONTROL UNIT



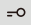
1 CYCLE SELECTOR
Turn the dial to select a cycle.

2 *CONNECT
Washing machine network control key. See the wifi guide on the last page for how to configure the network.

5 SPIN
Press to change the spinning speed for the current cycle. NO Spin@:The drum does not spin after the final drain cycle.

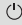
8 START/PAUSE 
Start/Pause the whole machine program running.

10 SOIL LEVEL
By selecting different levels to wash clothes with different dirt levels.

4+5 CHILD LOCK 
Press these two keys at the same time to enable or disable the child lock function.

3 PRE WASH
Add or subtract Pre wash functions by long press and short press.

6 QUICKER
Change washing time or rinse times.

9 POWER 
Press to turn on/off the washing machine.

11 EXTRA RINSE
Press to change the rinse count for current cycle.

5+6 MUTE (SWITCHING OFF THE ACOUSTIC SIGNALS) 

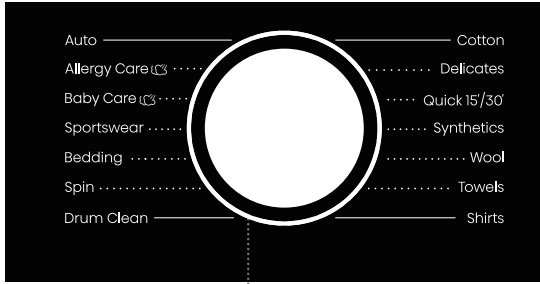
4 TEMP.
Press to change the water temperature for the selected cycle.

7 DELAY END
Delay End lets you set the end time of the current cycle. Based on your settings, the start time of the cycle will be determined by the machine's internal logic. For example, this setting is useful for programming your machine to finish a wash at the time you normally return home from work. Press to choose a preset unit of hours.

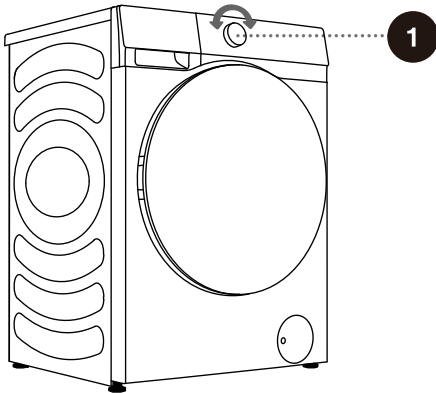
For extra function: Press and hold for 3 seconds.

STEP 3: CHOOSING THE WASHING PROGRAMME

Choose the **programme** by rotating the programme selector knob (1) to the left or to the right (depending on the type of laundry and how heavily soiled it is). See PROGRAMME TABLE.



1



1

⚠ During operation, the programme selector knob (1) will not rotate automatically.

PROGRAMME TABLE

Programme	Max. load		Max spinning rate	Programme description
*Cotton (- -, 20°C, 30°C, 40°C, 60°C , 90°C)	8.5 kg	10 kg	1400 1500	Heavily and moderately soiled cotton, or linen. For very heavily soiled items select the "Prewash" function.
Delicates (- -, 20°C, 30°C, 40°C)	2 kg	2 kg	600 600	Soft delicate fabrics and machine washable silk. (Refer to the washing label attached to the clothing).
Quick 15/30' (- -, 20°C, 30°C, 40°C)	1 kg	1 kg	800 800	The program is suitable for cotton and mixed fabrics. It is suitable for new or little work clothes. Washing time will prolong in case of changing default settings.
Synthetics (- -, 20°C, 30°C, 40°C, 60°C)	6 kg	6 kg	1200 1200	For fabrics that are made of polyester(diolen, trevira), polyamide (perlon, nylon), or the like.
Wool (- -, 20°C, 30°C, 40°C)	2 kg	2 kg	600 600	The program is suitable for machinewashable wool.
Towels (- -, 20°C, 30°C, 40°C)	4 kg	4 kg	800 800	For low level of soil cotton items such as towels.
Shirts (- -, 20°C, 30°C, 40°C, 60°C)	3 kg	3 kg	800 800	Non-iron shirts or blouses made of cotton, linen, synthetic fibres or blended fabrics.
Auto (- -, 20°C, 30°C, 40°C)	8 kg	8 kg	1400 1500	The program will automatically adjust the main washing duration and rinsing times according to the amount of clothes in the washing machine. It is applicable for lightly soiled clothes.
Allergy care (40°C, 60°C)	2 kg	2 kg	1400 1500	It is suitable for high temperature resistant and less fading fabrics, which removes allergens such as pollens, mites and parasites through high temperature steam.
Baby care (40°C, 60°C, 90°C)	2 kg	2 kg	1400 1500	It is suitable for baby clothes and underwear, etc., which sterilizes and disinfects through high temperature steam

Programme	Max. load		Max spinning rate	Programme description
Sportswear (- , 20°C, 30°C, 40°C)	4 kg	4 kg	1000 1000	The program is suitable for sportswear and leisure wear made from microfibre fabrics.
Bedding (- , 20°C, 30°C, 40°C, 60°C)	3 kg	3 kg	1400 1500	Program adapted to wash large items - e.g. Curtains, sheets, duvet covers.
Spin —	8.5 kg	10 kg	1400 1500	In this program, you can select the duration and spinning rate manually.
Drum Clean (90°C)	—	—	800 800	The program is used for cleaning the drum and removing any residues of detergent and bacteria that can accumulate and develop especially when you use programmes with low washing temperatures. The drum has to be empty. Run this programme at least once a month.

***HWFS8514E:**

The program “ ‘Cotton’, Temp: 40 C , Spin speed: 1400 rpm, Extra Rinse” is recommended for a normally soiled load equal to the rated load capacity.

HWFS1015E:

The program “ ‘Cotton’, Temp: 40 C , Spin speed: 1500 rpm, Extra Rinse” is recommended for a normally soiled load equal to the rated load capacity.

NOTE:

- 1) Water Temperature: Select the appropriate water temperature for chosen wash programme. Always follow garment manufacturer’s care label or instructions when washing to avoid damage to clothes.
- 2) Actual water temperature may differ from the declared cycle temperature.
- 3) The test results depend on water pressure, water hardness, water inlet temperature, room temperature, type and amount of load, degree of soiling utilized detergent, fluctuations in the main electricity supply and chosen additional options.
- 4) Natural (non sudsing) detergent is recommended.
- 5) Dry powder detergent should be mixed with warm water (in all cases not just energy program).

CHOOSING THE DETERGENTS AND ADDITIVES

Always choose highly efficient detergents that do not foam and which are intended for front-loading appliances.

The choice of detergent depends on the type, soil level, laundry colour, and washing temperature.

☼ White residues (streaks etc.) on black laundry may appear if you are using modern phosphate-free detergents. In such case, brush the streaks and use a liquid detergent.

Only use detergent intended for appliances for household use.

Descaling agents may damage the appliance. Do not use solvents.

Do not wash the clothes that were cleaned with solvents or flammable substances.

Observe the manufacturer's instructions on detergent dosing.

Excessive amount of detergent may result in foaming that in turn impairs washing efficiency. If the appliance senses excessive foaming, it may prevent the spin cycle from taking place.

If the amount of detergent is too small, the laundry may no longer be white after a while. It could also result in accumulation of limescale in the drum and the pipes.

☼ Maximum amount of laundry for washing and drying, in kg (for the cotton programme), is indicated on the rating plate fitted under the appliance door.

☼ Maximum or nominal load applies to laundry prepared pursuant to the IEC 60456 standard.

☼ For better washing effect, we recommend loading the drum to 2/3 when using the cotton programmes.

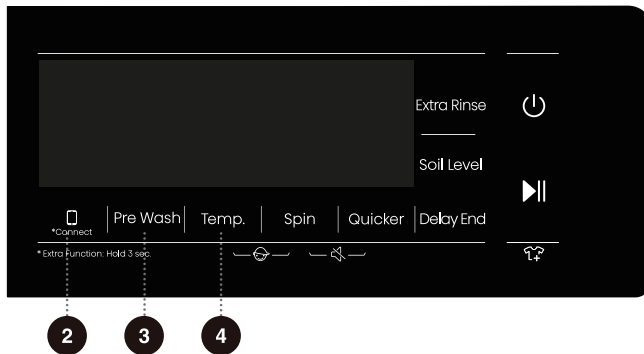
STEP 4: SELECTING ADDITIONAL SETTINGS AND FUNCTIONS

Most programmes feature basic settings, but these settings can be changed.

Adjust the settings by pressing the relevant function button (before pressing the (8) START/PAUSE button).

☞ Activate/deactivate the functions by pressing the desired function (before pressing the (8) START/PAUSE button).

☞ Certain settings cannot be selected with some programmes. Such settings will not be lit, and when the corresponding button is pressed, an acoustic signal will be emitted and the button will flash (see FUNCTION TABLE).




2

Connect

It is divided into two modes: "press and hold" and "press briefly".

Press briefly: start the remote control permission of the washing machine;

Press and hold: Connect the WiFi of the washing machine, the control panel symbol "  " flashes, and then conduct the networking operation. See the networking description for the specific networking method.

3

Prewash

Press briefly: Add "Pre wash" function, press twice to cancel the function, and cycle in sequence.

1. Select this function to add a Pre Wash program before the Main Wash stage.
2. After the program is started, the indicator remains on until the end of Pre Wash program. After the end of Pre Wash, the indicator will off.

4

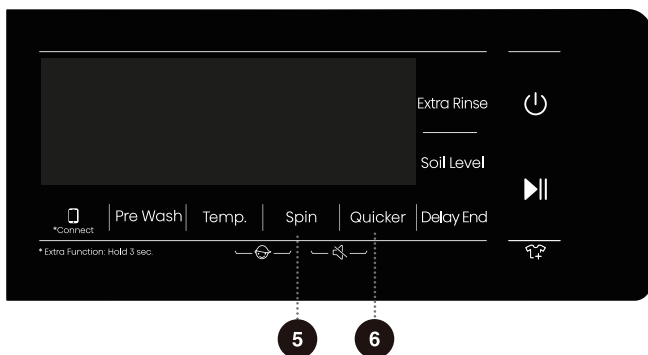
TEMP. (WASHING TEMPERATURE)

Changing the temperature for the selected program.

Each program has a preset temperature that can be changed by pressing the position (4) **TEMP.** (WASHING TEMPERATURE).

(-- indicates cold wash)

The temperature is displayed on the display unit above the button.



5 SPIN (SPINNING RATE/DRAIN)

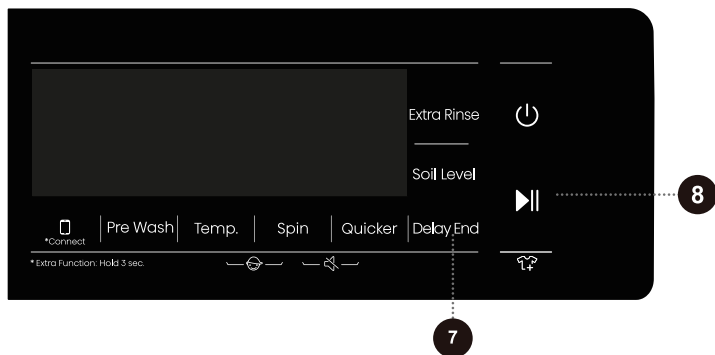
Use this to adjust the spinning rate. With preset or selected spinning rate, the selected spinning rate will be lit on the display unit.

If you select draining without spinning, the 0 will appear on the display unit.

6 QUICKER

After pressing this function key, the program time will be shortened by setting, and press it again, the program time will be increased back to the original setting. After the program is started, the indicator is always on.

- 1) This function can only be set in the standby mode of the applicable program, that is, before the program starts running, and cannot be selected after the program runs.
- 2) When this function is selected, the pre wash time will be reduced or the number of rinsing times will be reduced for the determined main wash time.
- 3) Weighing will be canceled after triggering this function, weighing will not be resumed even if the function is canceled.

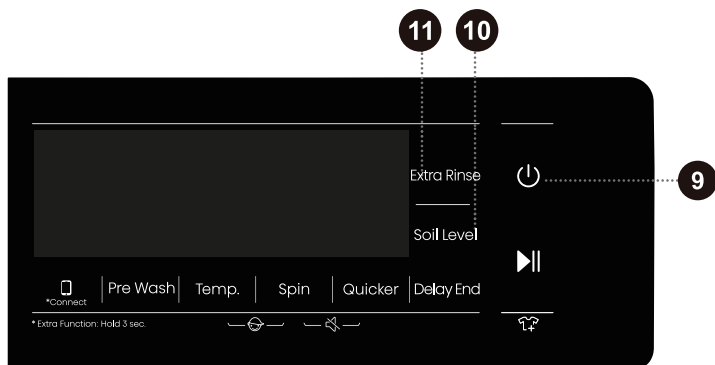


DELAY END

1. Press this key to set the Delay End time. This key is only valid in standby mode.
2. After the Delay End function is selected, each time the Delay End key is pressed, the time increases by 1h. If the programme time before the Delay End does not meet the integer multiple of 1h, then the first Delay End will make up the integer multiple of 1h. And after that, each time the Delay End key is pressed, the time increases by 1h. After the Delay End time is set up to 24h, the Delay End key can be pressed again to cancel this setting. If you turn the knob to select another programme or press other keys (including invalid keys, the principle is that any key that affects the washing process will cancel the Delay End program; however, Child Lock, Quiet, and remote control permission will not cancel the Delay End program) after the Delay End function is set and before the programme starts running, the current Delay End programme will be cancelled.
3. The Delay End time is the end time, that is, it includes the washing time, so the Delay End time must be greater than the washing time. For example, if the total time of the currently selected programme is 2:28, the selection range of Delay End time is 3-24 hours. That means, the display changes from 2:28 to 3:00, 4:00, ..., 9:00, h:10, ..., h:21 to h:24 in order. After the Delay End programme starts, the time display will change from h:24, h:23, ..., h:10, 9:59, 9:58, ..., until after the washing programme starts to run, at which time the display shows 2:28. This judgment condition also applies to the automatic weighing time function. When the display only shows the hour, the display shows the remaining time of the Delay End programme with the rounding method. (e.g. For 21:59, it still shows 21 hours.)
4. When the Delay End function is being selected (set), the Clock icon "🕒" is always on; When the Delay End programme is running, the Clock icon "🕒" flashes.

START/PAUSE ▶||

- 1) Control the washing machine from the standby state to the program running state, or from the program running state to the program pausing state.
- 2) Press the key in the standby mode to switch to door locking mode. If the door is unlocked, the washing machine cannot start the program. At the same time, the door locking error alarm will occur.
- 3) After setting the Preset function, press this key in the standby state. If the door is normally locked, the washing machine will switch to the Preset running state. If it is not locked, the washing machine will switch to the abnormal state and the door locking error alarm will occur.
- 4) If the program is switched from the running state to the pausing state, the program will remain in the stopped position and wait for the user to press this key again to switch to the running state of the program. When the program switched from the Spin state to the program pausing state and then enters the program running state again, the program will start from the initial position of the Spin program.
- 5) Control the washing machine to switch from abnormal state to program running state. This abnormal state applies only to alarm exceptions that can be canceled.
- 6) When the washing machine is paused, the door will be unlocked automatically if the following conditions are met: 1. The water level is lower than the water level for opening the door; 2. The sensor temperature in the drum is lower than 50°C; 3. The motor speed is 0. If the unlocking conditions above are not met, there will be no action.
- 7) After starting the washing machine, the set parameters can not be adjusted.



9 POWER

- 1) Control the washing machine to switch between "shutdown state" and "standby state". In the shutdown state, all display and output are turned off. The shutdown response time is 2s when the power key is pressed continuously.
- 2) Press the power key in the shutdown state, and the buzzer will sound to enter the standby state. The display's indications light up in turn as soon as the power is turned on.
- 3) Press the power key to start the machine and judge the door lock state.
- 4) After the washing machine is in standby state or the END is displayed, the door will be unlocked, and press the power key to shut down. If there is no shutdown operation within 2 minutes, the washing machine will automatically power off.
- 5) In the pausing state, the display time and colon on the LED flash at the same time.

10 SOIL LEVEL

- 1) The default soil level is Medium (two bars). The washing time after selecting Low (one bar) is reduced by X minutes, and the washing time after selecting the High (three bars) is increased by X minutes.
- 2) X will be confirmed by grades according to the time of water intake plus mixing.
- 3) Weighing will be canceled after this function is triggered.

11 EXTRA RINSE

- 1) This function can be selected in standby state and cannot be changed after startup.
- 2) In the standby state, after Extra Rinse is selected, the number of Extra Rinse is shown, which may be used a maximum of three times. In addition, the default rinsing times plus the number of Extra Rinse cannot exceed five times.
- 3) After the program is started, the indicator is always on.



4

+

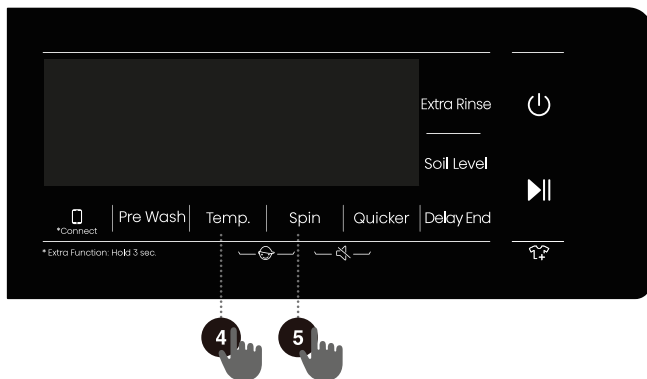
5

CHILD LOCK

This is a safety feature. To activate it, simultaneously press the positions (4)TEMP. (TEMPERATURE) and (5) SPIN, and hold them for at least 2 seconds. Child Lock icon will light up, and then Child Lock is set up.

Repeat the same operation, the Child Lock will be released.

- When the Child Lock is set, all function buttons will be shielded.
- Power off in 3 seconds by touching the power button ,child lock is released.
After completing program, child lock will automatically unlock.

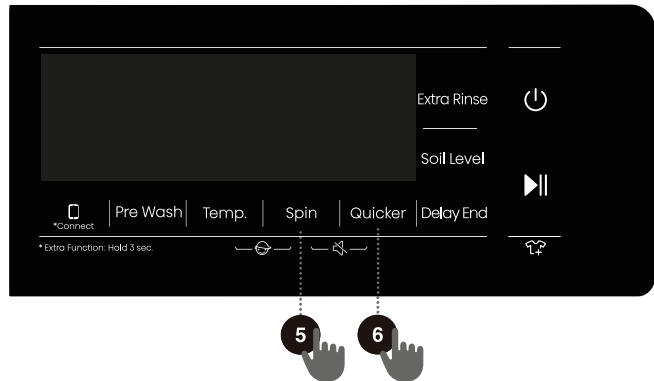




5 + 6

MUTE (SWITCHING OFF THE ACOUSTIC SIGNALS)

When the machine is in the state of holding, pause or operation, press " (5)Spin+ (6)Quicker" buttons for 2 seconds, The display will show mute function fault icon. All the buzzing will be turned off except the alarms. When the machine is in the mute state, press " (5)Spin+ (6)Quicker" buttons for 2 seconds until mute function fault icon light off. All the buzzing will be activated.



FUNCTION TABLE

Programmes	DETERGENT COMPARTMENT			°C TEMP.	SPIN (SETTING THE SPINNING RATE)	QUICKER	DELAY END	PREWASH	EXTRA RINSE	SOIL LEVEL	DEFAULT NUMBER OF RINSES
	PREWASH	MAIN WASH	SOFTENER								
Cotton	✓	✓	✓	•	•	•	•	•	•	-	3
Delicates	✓	✓	✓	•	•	-	•	-	•	•	3
Quick 15'/30'	✓	✓	✓	•	•	-	•	-	•	-	1
Synthetics	✓	✓	✓	•	•	•	•	•	•	•	2
Wool	✓	✓	✓	•	•	-	•	-	•	•	2
Towels	✓	✓	✓	-	-	-	-	•	•	-	2
Shirts	✓	✓	✓	•	•	-	•	•	•	•	2
Auto	✓	✓	✓	•	•	-	•	•	•	•	2
Allergy care	✓	✓	✓	•	•	-	•	•	•	•	4
Baby care	✓	✓	✓	•	•	•	•	•	•	•	3
Sportswear	✓	✓	✓	•	•	-	•	•	•	•	2
Bedding	✓	✓	✓	•	•	-	•	•	•	•	3
Spin	-	-	-	-	•	-	•	-	-	-	0
Drum Clean	✓	✓	✓	-	-	-	•	-	-	-	1

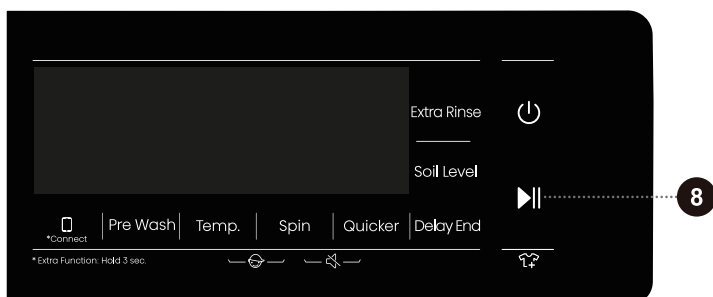
- Optional functions
- Can not be selected
- ✓ Detergent required

TIME OPTIMIZATION DURING THE PROGRAMME PROGRESS

In the early stage of the washing programme, the washing machine uses advanced technology to detect the amount of laundry. After load detection, the washing machine adjusts the programme duration.

STEP 5: STARTING THE WASHING PROGRAMME

Once you have selected the programme and extra functions, and added the detergent into the detergent compartment, press the (8) **START/PAUSE** button.




TIME REMAINING TO THE END OF THE PROGRAMME or **DELAY END** time (if set) will appear on the display.


Symbols will be lit on the selected functions.


After pressing the (8) **START/PAUSE** button, the spinning rate can be adjusted (except in the case of the Drum Clean program), child lock can be activated or deactivated, and sound signal can be set; other settings, however, cannot be changed.

When the program starts, " --- " will appear on the display unit, which indicates that the laundry is being weighed. Program duration (hours : minutes) will be adjusted automatically according to the laundry weight.

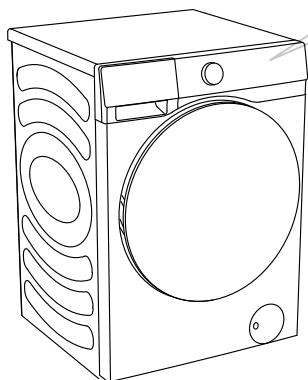
After the start of the programme, Door Lock  will be lit on the display unit. When the program is complete, the icon will disappear.

If you press the (8) **START/PAUSE** button during program operation, and all conditions are met for you to open the door, then the  will disappear as well.

If the  flashes, this means that the door cannot be opened; in such case, do not attempt to open the door by force.

 If anything is flashing on the display unit, the washing machine door is open or not closed correctly. Close the washing machine door and press the (8) **START/PAUSE** button again to resume the washing programme.

STEP 6: CHANGE OF WASHING PROGRAMME OR MANUAL (PHYSICAL) CANCELLATION



1 To stop and cancel a washing programme, press the button "POWER" for 3 seconds



2 The washing programme is **temporarily paused** when the time remaining until programme completion is flashing on the display unit.



At the same time, the washing machine pumps the water out of the washing machine drum. When the water is pumped out, washing machine door will be unlocked. If the water in the washing machine is hot, the washing machine will automatically cool it and pump/drain it out.



3 To select a new programme, choose the programme by rotating the programme selector knob (1) and then select the programme and extra functions. Press the (8) START/PAUSE button, without adding the detergent again.

STEP 7: END OF THE WASHING PROGRAMME

An acoustic signal will indicate the end of the washing process; the display will read »End«. The appliance will switch off automatically if you do not perform any action within 2 minutes.



1. Open the washing machine door.
2. Take the laundry from the drum.
3. Close the door!
4. Shut off the water supply tap.
5. Unplug the power cord from the outlet.

INTERRUPTIONS AND CHANGING THE PROGRAMME

MANUAL INTERRUPTION

To stop and cancel a washing programme, press the button "POWER" for 3 seconds.

PAUSE BUTTON

The washing programme can always be stopped by pressing the (8) **START/PAUSE** button. The washing programme is **temporarily paused** when the time remaining until programme completion is flashing on the display unit. If there is no water in the drum and water temperature is not too high, then the door will unlock, and they can be opened. To resume the washing program, first close the door and then press the key (8) **START/PAUSE** button.

ADDING/REMOVING LAUNDRY DURING WASHING MACHINE OPERATION

After a certain period of time, the washing machine door can be opened if the water level and temperature are below a predefined threshold.

If the conditions below are met, then the electronic door lock is released and the washing machine door can be opened:

- water temperature in the drum has to be suitable,
- water level in the drum has to be below a certain value.

In order to add or remove laundry from the washing machine during programme operation, proceed as follows:

1. Press the (8) **START/PAUSE** button.
2. If all conditions for release of electronic door lock are met, then you can open the washing machine door and add or remove laundry from the drum.
3. Close the washing machine door!
4. Press the (8) **START/PAUSE** button.

The washing program will resume.

⚠ If you add a considerable amount of laundry during the wash, the laundry could be washed less effectively, since the washing machine initially sensed a lower weight of the load of laundry and added a smaller amount of water. Insufficient amount of water relative to the amount of laundry could also cause damage to the laundry (rubbing of dry laundry), and washing time can be longer.

⚠ Washing time will resume from the point at which the washing programme was interrupted.

ERRORS

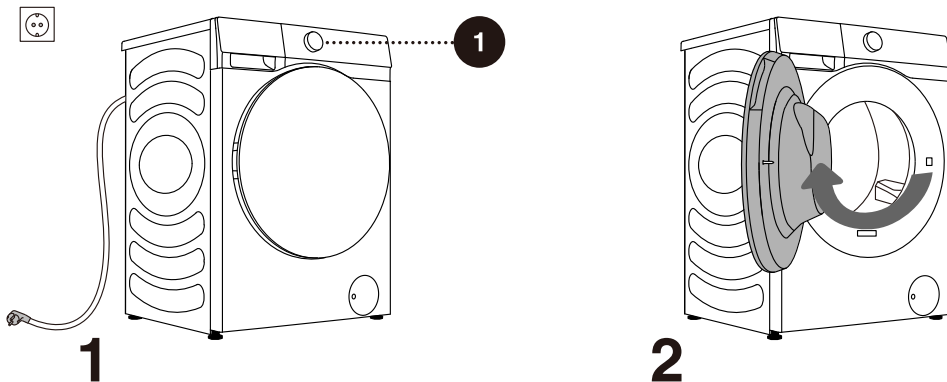
In case of an error or fault, the programme will be interrupted.

Flashing signal lights and an acoustic signal will warn about such occurrence (see TROUBLESHOOTING TABLE), and the error will be indicated on the display (F:XX).

POWER SUPPLY FAILURE

In case of a power supply failure (power outage), the washing programme is interrupted. When power supply is restored, the program is resumed in the stage in which it was interrupted.

OPENING THE DOOR MANUALLY IN CASE OF A POWER OUTAGE - IN CASE OF A PROGRAM PAUSE



1 To stop and cancel a washing programme, press the button "POWER" for 3 seconds.

2 Open the washing machine door manually by pulling the handle towards you.

OPENING THE DOOR (PAUSE/CANCEL – CHANGE PROGRAMME)

Washing machine door can be opened if the water temperature is not excessively high. Otherwise, use manual (physical) interruption (see chapter INTERRUPTIONS AND CHANGING THE PROGRAMME).

⚠ If there is still water in the washing machine after a power outage, make sure not to open the door before you manually drain the water from the washing machine via the pump filter.

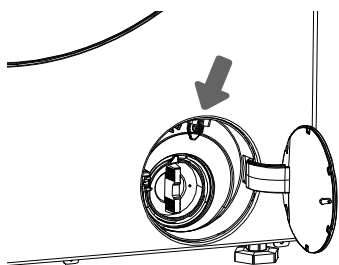
EMERGENCY DOOR OPENING

In case of failure to open the door due to power outage or other special circumstances, the door lock lever at the drainage pump door can be used for emergency opening.

Note:

1. Do not operate when the machine is working normally;
2. Before operation, please make sure that the inner barrel has stopped turning, without high temperature, and the water level is lower than the clothing inlet. If the water level is higher than the clothing inlet, drain off water through the drain-away pipe (if available) or by slowly unscrewing the filter.

3.Operation method: Open the cover of drainage pump door, remove the screws, pull down the lock lever with the help of a tool, and then the door can be opened(indicated in the figure).



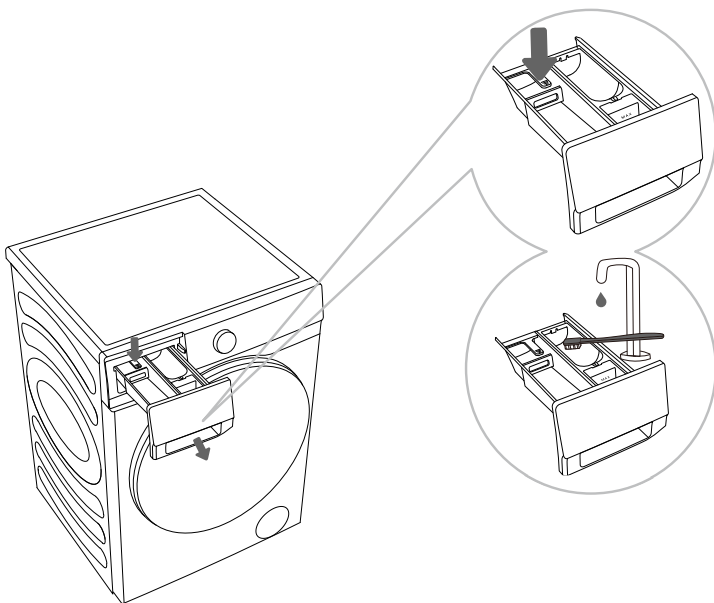
MAINTENANCE & CLEANING

⚠ Before cleaning, unplug the washing machine from the power mains.

👶 Children should not clean the washing machine or perform maintenance tasks without proper supervision!

CLEANING THE DETERGENT COMPARTMENT

👶 Detergent compartment should be cleaned at least twice per month.

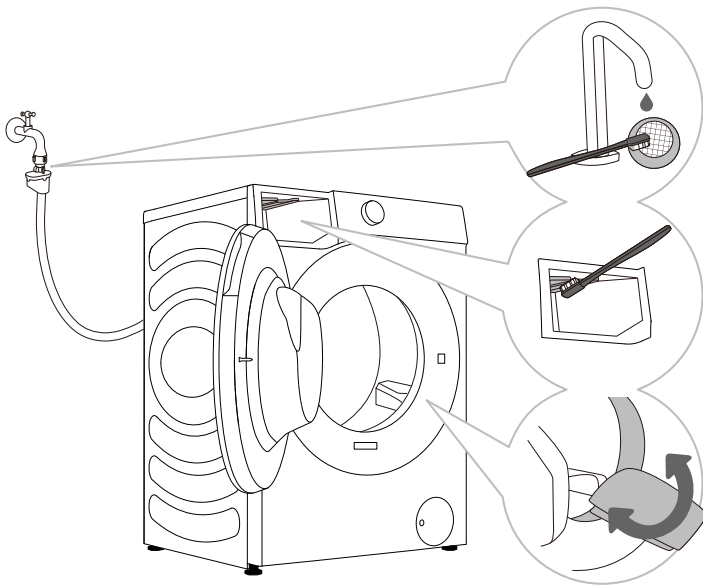


1 To remove the detergent compartment from the housing, press the small tab.

2 Clean the detergent compartment under running water using a brush, and dry it. Also, remove any detergent residue from the bottom of the housing. Remove the conditioner insert (softener insert) from the detergent compartment. Wash all parts under running water, and conditioner insert (softener insert) into detergent compartment and re-insert them into the detergent compartment housing.

👶 Do not wash the detergent compartment in a dishwasher.

CLEANING THE WATER SUPPLY HOSE, DETERGENT DISPENSER HOUSING, AND RUBBER DOOR GASKET



1 Clean the net filter often under running water.

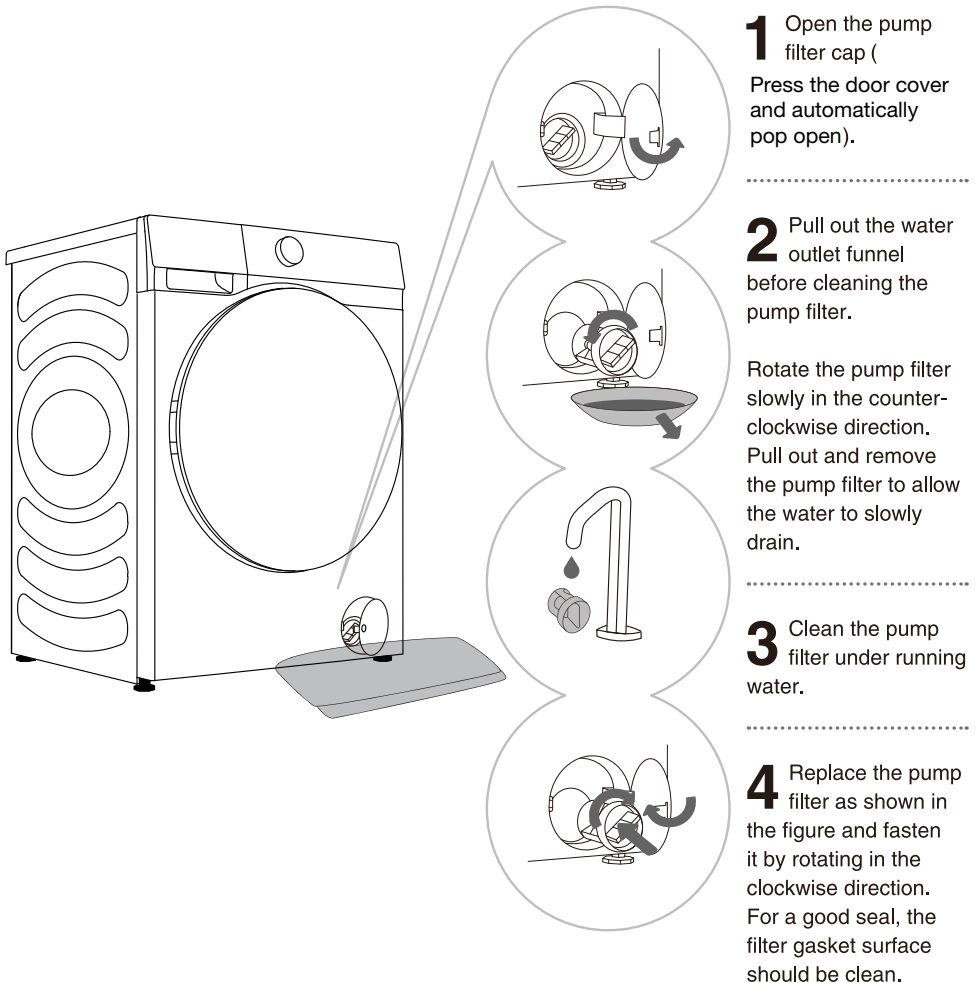
2 Use a brush to clean the entire washing machine rinsing section, especially the nozzles on the upper side of the rinsing chamber.

3 After every wash, wipe the rubber door seal to extend its useful life.

CLEANING THE PUMP FILTER

⚠ During cleaning, some water may be spilled. It is therefore recommended to place an absorbent cloth on the floor.

Make sure the water has cooled down before you release it from the appliance.



⚠ The pump filter must be occasionally cleaned, especially after washing very fleecy, woolly, or very old laundry.

⚠ Also clean the pump filter if the appliance cannot start the spinning cycle or when there is debris in the pump (buttons, coins, hair pins or clips etc.).

CLEANING THE WASHING MACHINE EXTERIOR

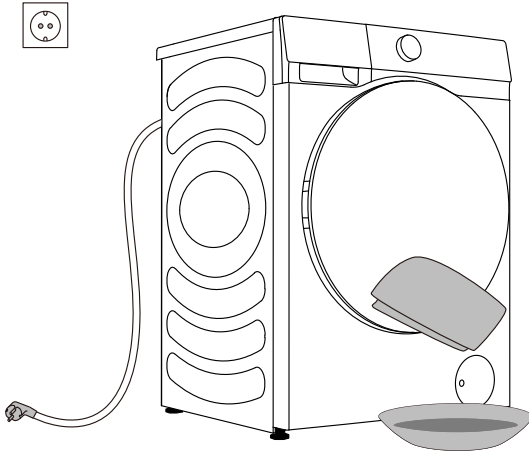
⚠ Always disconnect the washing machine from the power mains before cleaning.

Clean the washing machine exterior and display unit using a soft damp cotton cloth and water. Then, use a soft dry cloth to dry the appliance.

⚠ Do not use any solvents, abrasive cleaners, or cleaning agents that could damage the appliance (please observe the recommendations and warnings provided by the cleaning agent).

If necessary, wipe the appliance door with a damp cloth, and then dry with a dry soft cloth as well.

⚡ Do not clean the washing machine with a jet of water!



TROUBLESHOOTING

WHAT TO DO ...?

The washing machine shall automatically control the operation of particular functions during the washing cycle. If any irregularity is identified, this will be indicated by reporting (F:XX) on the display. The washing machine will report the error until it is switched off. Disturbances from the environment (e.g. the power grid) may result in various error reports (see TROUBLESHOOTING TABLE). In such case:

- Switch off the washing machine and wait for a few seconds.
- Switch on the washing machine and repeat the washing programme.
- Most errors during operation can be resolved by the user (see TROUBLESHOOTING TABLE).
- If the error persists, call an authorized service unit.
- Repairs may only be carried out by an adequately trained person.
- Repair or any warranty claim resulting from incorrect connection or use of the washing machine shall not be covered by the warranty. In such cases, the costs of repair shall be charged to the user.

⚡ The warranty does not cover the errors or failures resulting from disturbances from the environment (lightning strike, power grid failures, natural disasters etc.).

TROUBLESHOOTING AND ERROR TABLE

Problem/error	Indication on the display unit and problem description	What to do?
F01	Water inflow fault	<p>Check the following:</p> <ul style="list-style-type: none"> • Is the water supply tap open and is the pressure too low? • Is the water supply hose pinched? • Is the filter on the water supply hose clogged? • Is the hose frozen?
F03	Drainage fault	<p>Check the following:</p> <ul style="list-style-type: none"> • Is the hose pinched, does the water flow through it? • Is the filter on the drain hose clogged? • Is the hose frozen?
F04/F05/F06/F07/F23	Electronic module fault	<p>Switch off the appliance; Press the POWER for 3 seconds .</p> <p>Press the “ start/pause ” button again. If the error reoccurs, call a service technician.</p>
F24	Water level reaches overflow level	<p>Stop the programme by pressing the “ start/pause ” button. Restart the programme.</p> <p>If the appliance continues to pump water into the tub, close the water tap and call a service technician</p>
F13	Error while locking the door	<p>Door is closed, but it cannot be locked.</p> <p>Switch off the washing machine. Switch it back on and restart the washing programme.</p> <p>If the error reoccurs, call a service technician.</p>
F14	Error while locking the door	<p>Door is closed, but it cannot be unlocked.</p> <p>Turn off the appliance, then turn it back on. If the error reoccurs, call a service technician.</p>
Unb	Unb Unbalance alarm	<p>Unbalance alarm shall be solved by the following methods</p> <p>1.Laundry winding</p> <p>Press the "Power" for 3 seconds to shutdown the washing machine, open the door, shake the clothes and put them back into the washing machine, then select the single dewatering program to dry again.</p> <p>2.Too light-weighted laundry</p> <p>Press the "Power" for 3 seconds for shutdown, open the door, put in one or two towels, and then select the single dewatering program to dry again.</p>

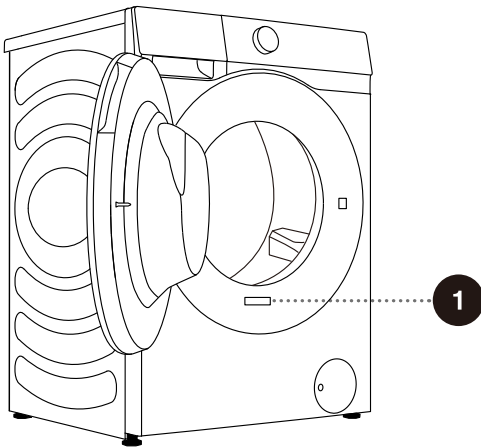
SERVICING

Before calling a service technician


When you contact a service centre, please state your washing machine's type (1).


Type, code/ID, model, and serial number are indicated on the rating (type) plate located on the front side of the washing machine door opening.

- ⚠ In case of a defect, only use approved spare parts by authorized manufacturers.
- ⚠ Repair or any warranty claim resulting from incorrect connection or use of the washing machine shall not be covered by the warranty. In such cases, the costs of repair shall be charged to the user.



1

Hisense Clothes Washing Machine 
E6101
Made in China
HWFS8514E 8.5kg APPROVAL NO.
220-240V~ 50Hz 1750W IPX4 SGS-220998-EA
Hisense Australia Pty Ltd.

Hisense Clothes Washing Machine 
E6101
Made in China
HWFS1015E 10.0kg APPROVAL NO.
220-240V~ 50Hz 1750W IPX4 SGS-220998-EA
Hisense Australia Pty Ltd.

RECOMMENDATIONS FOR WASHING AND ECONOMIC USE YOUR WASHING MACHINE

Wash new coloured garments separately the first time.

Wash heavily soiled laundry in smaller amounts, with more powder detergent or with a pre-wash cycle.

Apply a special stain remover on stubborn stains before the wash. We recommend referring to STAIN REMOVAL TIPS.

If you often wash laundry at low temperatures and with liquid detergents, bacteria may spawn which can cause odour in the washing machine. To prevent such odour, we recommend occasionally running the Steril tub Drum Clean.

We recommend avoiding washing very small amounts of laundry as this will lead to excessive use of energy and poorer washing machine performance.

Loosen any folded laundry before putting it into the drum.

Only use detergents for machine washing.

Add powder or liquid detergents as instructed by the manufacturer, according to the washing temperature and selected washing programme.

When using highly concentrated detergents, use special-purpose dosing cups (supplied with the detergent) and place them directly in the appliance drum.

If water hardness exceeds 14°dH, water softener should be used. Heater damage resulting from incorrect use of water softeners shall not be covered by the warranty. Check the information on water hardness with your local water supply company or authority.

Use of chlorine-based bleaches is not recommended as they can damage the heater.

If you use a descaling agent, bleach, or dye, only use the kind that is suitable for use in the appliance.

Do not use solvents or similar chemicals (e.g. paint thinner, turpentine, gasoline etc.)!

Do not add hardened lumps of powder detergent into the detergent dispenser as this may clog the piping in the washing machine.

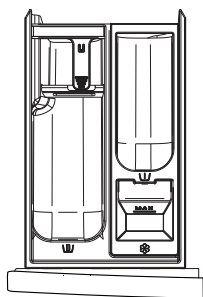
When using thick liquid laundry care products, we recommend diluting them with water to prevent clogging the detergent compartment drain.

Liquid detergents are intended for washing programmes without a prewash cycle.

At higher spinning rates, there will be less residual moisture in the laundry. As a result, drying in a tumble dryer will be more economical and faster.

Water hardness	Hardness levels			
	°dH (°N)	m mol/l	°fH(°F)	p.p.m.
1 – soft	< 8,4	< 1,5	< 15	< 150
2 – normal	8,4 - 14	1,5 - 2,5	15 - 25	150 - 250
3 – hard	> 14	> 2,5	> 25	> 250

☼ Check the information on water hardness with your local water supply company or authority.



Symbols of detergent dispenser compartments	
U	prewash
W	main wash
☼	softening

☼ We recommend adding powder detergent immediately before the washing cycle. If you add it sooner, make sure the detergent compartment in the dispenser tray is completely dry before adding the powder detergent: otherwise, the powder detergent may cake before the start of the washing process.

☼ Pour the conditioner into the detergent compartment, into the compartment with the symbol ☼. Observe the recommendation on the conditioner packaging.

☼ Do not fill the conditioner compartment over the max. indication (maximum indicated level). Otherwise, the conditioner will be added to the laundry too soon, leading to poorer washing effect.

Keep detergents and additives out of reach of children.

Liquid detergents can be used for prewash; however, a powder detergent has to be used for the main wash in this case.

STAIN REMOVAL TIPS

Before using special-purpose stain removers, try using the natural methods that do not harm the environment on less stubborn stains.

However, prompt action is required! Soak the stain with an absorbent sponge or a paper towel; then, rinse with cold (lukewarm) water – but never with hot water!

Stains	Stain removal
Mud	When the stain is dry, first scrape it off the garment before washing it in the washing machine. If the stain is stubborn, soak it with an enzyme-based stain remover before the wash. If the stain is not stubborn, wash the laundry with liquid detergent or powder detergent and water before the wash.
Antiperspirant	Before washing in the washing machine, apply liquid detergent onto the laundry. Apply stain removers on any stubborn stains. Alternatively, use oxygen-based bleach for the wash.
Tea	Soak or rinse the laundry in cold water and add stain remover if necessary.
Chocolate	Soak or rinse the laundry with lukewarm soapy water. Then, apply lemon juice and rinse.
Ink	Before washing in the washing machine, apply stain removers on the stain. You may also use denatured alcohol. Turn the garment inside out and place a paper towel under the stain. Use the alcohol on the back side of the stain. At the end of the process, thoroughly rinse the garment.
Felt tip pens	Dilute some starch in water and apply it to the stain. When it dries, scrape it off with a brush; then, wash the garment in the washing machine.
Baby food (urine, mud, food stains)	Before washing in the washing machine, soak the stains in lukewarm water for at least half an hour. For easier stain removal, add an enzyme-based stain remover.
Grass	Before washing in the washing machine, soak the laundry in an enzyme-based stain remover. Grass stains can also be removed by soaking (for approx. 1 hour) in diluted lemon juice or distilled vinegar.
Eggs	Soak the garment in an enzyme-based stain remover. Soak in cold water for at least 30 minutes or a few hours if the stains are stubborn. Then, wash in the washing machine.
Coffee	Soak the garment in salt water. If the stain is not fresh, soak it with a mixture of glycerine, ammonia and alcohol.
Shoe polish	Apply cooking oil to the stain and rinse.

Stains	Stain removal
Blood	Fresh stain – rinse the garment with cool water and wash it in the washing machine. Dried stain – soak the garment in an enzyme-based stain remover. Then, wash in the washing machine. If the stain does not vanish, try to remove it with a bleach suitable for your garment.
Glue, chewing gum	Place the garment in a bag and put it in the freezer until the stain hardens. Then, remove it with a blunt knife. Then, dilute the stain with a prewash stain remover and rinse thoroughly. Then, wash the laundry as usual.
Makeup	Use a stain remover for the prewash; then, wash in the washing machine.
Butter	Before washing in the washing machine, apply stain remover to the stain. Then, rinse with hot water (as hot as the fabric will allow).
Milk	Soak the garment in an enzyme-based stain remover. Soak for at least 30 minutes or a few hours if the stains are stubborn. Then, wash in the washing machine.
Fruit juice	Apply a mixture of salt and water on the stain. Leave to take effect for a while, then rinse. You can apply sodium bicarbonate, distilled vinegar or lemon juice on the stain before washing in the washing machine. For old stains, use glycerine. After 20 minutes, rinse with cold water, then wash the laundry in the washing machine.
Wine	Soak the laundry in cold water for at least 30 minutes. Also, use a stain remover. Then, wash in the washing machine.
Wax	Put the garment into the freezer until the wax hardens. Then, scrape it off. Remove the remaining wax by placing a paper towel onto the stain, and then heat it with an iron until the paper absorbs the wax.
Sweat	Before washing in the washing machine, rub liquid detergent thoroughly into the stain.
Chewing gum	Put the garment into the freezer until the chewing gum hardens. Then, scrape it off. Then, wash in the washing machine.

DISPOSAL

Packaging is made of environmentally friendly materials that can be recycled, disposed of, or destroyed without any hazard to the environment. To this end, packaging materials are labelled appropriately.



The symbol on the product or its packaging indicates that the product should not be treated as normal household waste. Take the product to an authorized collection centre for waste electric and electronic equipment processing.

When **disposing** of the washing machine at the end of its useful life, remove all power cords, and destroy the door latch and switch to prevent the door from locking or latching (child safety).

This appliance is marked according to the European directive on waste (WEEE).

Correct **disposal** of the product will help prevent any negative effects on the environment and health of people, which could occur in case of incorrect product removal. For detailed information on removal and processing of the product, please contact the relevant municipal body in charge of waste management, your waste disposal service, or the store where you bought the product.

LOW STANDBY MODE

☼ Maximum or nominal load applies to laundry prepared pursuant to the IEC 60456 standard.

⚠ Due to deviations in terms of type and amount of laundry, spinning, power supply oscillation, and environment temperature and humidity, the programme duration and power consumption values measured at the end user may differ from the ones stated in the table.

We reserve the right to any changes and errors in the instructions for use.

Wi-Fi connection

Enter the "Settings" interface on your smartphone or tablet PC, enable the Bluetooth and Wireless Connection, and connect to the wireless network.

NOTE

This device can support the 2.4 GHz Wi-Fi.

Download

In the APP Store (Google Play Store, Apple App Store) on your smartphone or tablet PC, find the ConnectLife app, download and install it.

NOTE

In order to improve performance and experience, the application may be updated without notification.

Log in

You need to log in to ConnectLife with your account first. If you do not have a ConnectLife account, you will need to create a new one. Please refer to the App Instructions for details.

NOTE

If you already have a Google account, you can use your Google account to log in directly.

Device Binding

1. Open ConnectLife on your smartphone or tablet PC;
2. Bind your device on ConnectLife as follows:
 - A. Click **"Start here Add appliances"** in **"Home"** page, or click **"Add appliances"** in **"Devices"** page, or click **"+"**.
 - B. Select **"Washing Machine"** or click **"Scan QR/BAR code"** or **"Manual entry"** below.
 - C. Scan the QR/BAR code on the device or enter the AUID/SN manually. If you **can not** find it, click **(?)** for instructions.
 - D. Click **"SET UP APPLICATION"**
 - E. Read the instructions, operate the device into the Networking and Binding state, and click **"NEXT"**.
 - F. At this time, the app starts to search for devices, and you can select the device to be connected to the network from the search list; If it is not found, check your bluetooth whether turn on. Bluetooth should be keep it on at all time. And then click **"NEXT"**.
 - G. Select your home Wi-Fi, enter the password, Then click the **"CONNECT"**. The appliance will start networking and binding.
 - H. After binding successfully, you can set the device name and room.
 - I. Now, the device can be control remotely by APP.

NOTE

How to reset Wi-Fi and unbind all the binding relationship of the device:

1. Press the power key to start the device and make it connect to the network normally.
2. Press the last two keys simultaneously for 3 seconds, and the screen will display **"[-b"**.
3. Shut down and restart the device to make a new binding.
4. After unbinding, the device must be restarted, or the unbinding will fail. Unbinding will delete users information stored in appliance before.
5. How to exit the network distribution mode:
If you want to quit when screen display **"bon"**, press **"[Home]"** simultaneously for 3 seconds, you can turn off the appliance by press **"[Power]"** or wait for 5 minutes.

Hisense

life reimagined